

Description

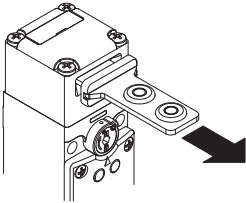


These switches are used on machines where the hazardous conditions remain for a while, even after the machines have been switched off, for example because of mechanical inertia of pulleys, saw disks, parts under pressure or with high temperatures. Thus, the switches can also be used if individual guards are only to be opened under certain conditions.

The versions with solenoid actuated NC contacts are considered interlocks with locking in accordance with ISO 14119, and the product's label is marked with the symbol shown.

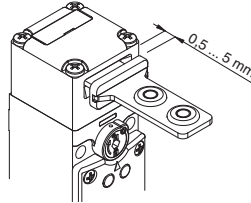


Holding force of the locked actuator



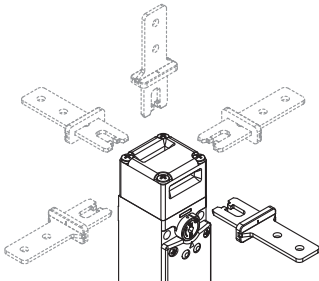
The strong interlocking system guarantees a maximum actuator holding force of $F_{1max} = 2800 \text{ N}$.

Wide-ranging actuator travel



The actuation head of this switch features a wide range of travel. In this way the guard can oscillate along the direction of insertion (4.5 mm) without causing unwanted machine shutdowns. This wide range of travel is available in all actuators in order to ensure maximum device reliability.

Heads and devices with variable orientation



The system can be variably configured by loosening the 4 screws on the head.

The key release device and the release button can also be rotated and secured independently of one another in steps of 90°. The device can thus assume 32 different configurations.

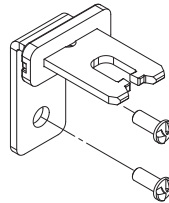
Contact blocks with 4 contacts



Innovative contact block with 4 contacts, available in various contact configurations for monitoring the actuator or the solenoid (patented). The unit is supplied with captive screws and self-lifting clamping plates. Removable finger protection for eyelet terminal.

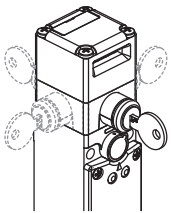
High-reliability electrical contacts with 4 contact points and double interruption

Safety screws for actuators



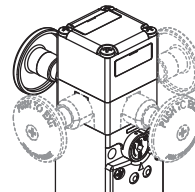
As required by EN ISO 14119, the actuator must be fixed immovably to the guard frame. Pan head safety screws with one-way fitting are available for this purpose. With this screw type, the actuators cannot be removed or tampered by using common tools. See accessories on page 332.

Turnable key release with lock



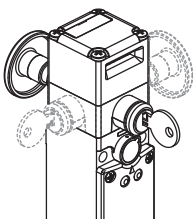
The auxiliary key release device is used to allow the maintenance or the entry into the machinery to authorized personnel only. Turning the key corresponds to actuating the solenoid: the actuator is released. The device can be turned, thereby enabling installation of the safety switch in the machine while the release device remains accessible on the outside of the guard.

Escape release button



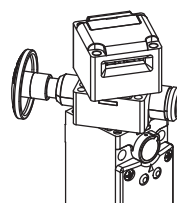
This device is used to safeguard a hazardous area that an operator may enter with his entire body. The release button, which is oriented towards the inside of the danger zone, allows the operator to escape even in the event of a power failure. Pushing the button results in the same function as the auxiliary release device. To reset the switch, simply return the button to its initial position. The escape release button can be rotated and is available with different lengths. It is fixed to the switch by means of a screw allowing the installation of the switch both inside and outside the guards.

Key release device and escape release button



This device performs simultaneously the two functions mentioned above. The lock and button can be rotated in this case as well; the release button can be ordered with various lengths. The release button has priority over the lock, i.e., the emergency escape can be actuated to unlock the switch even if the lock is locked. To reset the switch, the lock and the button must be returned to their initial position.

Non-detachable heads and release devices



The head and the release device can be rotated but cannot be detached from each other. This makes the switch more secure since the problem of incorrect assembly by the installer cannot occur; in addition, the risk of damage is lower (loss of small parts, penetration of dirt, etc.).

LED display unit, type A

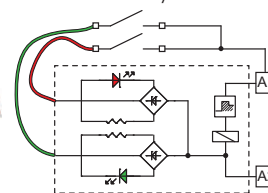


In the version with LED display unit of type A, two green LEDs are switched-on directly by the power supply of the solenoid. Wiring is not necessary.

LED display unit, types B and C



In the version with LED display unit of type B, connection wires from two LEDs are available, one green and one red. By means of suitable connections on the contact block, various operating states of the switch can be displayed externally.



Protection degree IP67

IP67

These devices are designed to be used in the toughest environmental conditions and they pass the IP67 immersion test acc. to EN 60529. They can therefore be used in all environments where maximum protection degree of the housing is required.

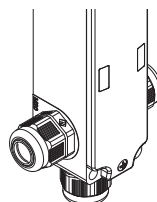
Extended temperature range

-40°C

These devices are also available in a special version suitable for an ambient operating temperature range from -40°C up to +80°C.

They can therefore be used for applications in cold stores, sterilisers and other equipment operated in very low-temperature environments. The special materials used to produce these versions retain their characteristics even under these conditions, thereby expanding the installation possibilities.

Three conduit entries



The switch is provided with three conduit entries in different directions. This allows its application in series connections or in narrow places.

Sealable auxiliary release device



Switches with locked actuator with deactivated solenoid (function principle D) are equipped with an auxiliary release device for the solenoid to simplify installation of the switch and to facilitate entry into the danger zone in the event of a power failure. The auxiliary release

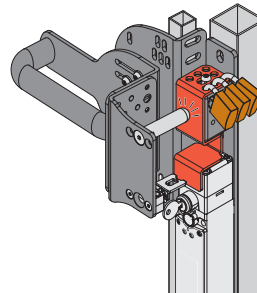
device acts on the switch exactly as if the solenoid was energised. As a result, it also actuates the electrical contacts. Can only be actuated with the use of two tools; this ensures adequate protection against tampering. If necessary, it can be sealed using the appropriate hole.

Laser engraving



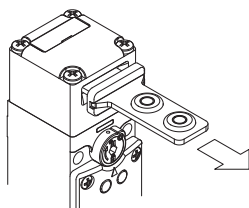
All FG series switches are permanently marked with a special laser system. As a result, the marking remains legible even under extreme operating conditions. Thanks to this system that does not use labels, the loss of plate data is prevented and a greater resistance of the marking is achieved over time.

Access monitoring



These safety switches alone do not provide sufficient personal protection to the operators or maintenance personnel in situations where they completely enter the danger zone, since unintentional closing of a door after entry could cause the machine to re-start. If the re-start release is completely dependent on these switches, a system for preventing this danger must be provided, e.g. a padlockable device for actuator entry locking VF KB2 (page 118) or a safety handle, such as a P-KUBE 1 (page 159).

Holding force of the unlocked actuator



The inside of each switch features a device which holds the actuator in its closed position. Ideal for all those applications where several guards are unlocked simultaneously, but only one is actually opened. The device keeps all the unlocked guards in their position with a retaining force of approx. 30 N, stopping any vibrations or gusts of wind from opening them.

LED signalling lights

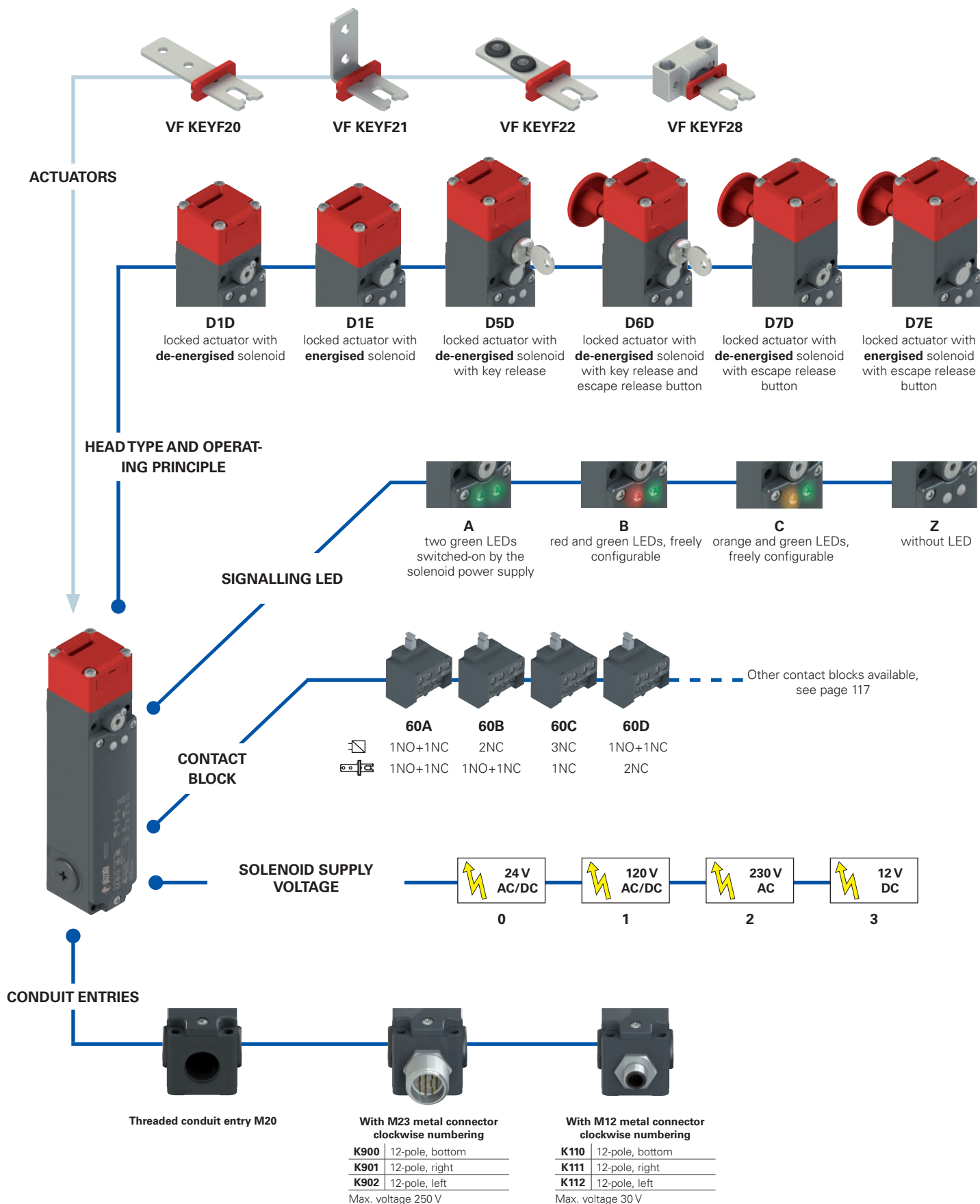


Thanks to the three threaded cable entries, the high luminosity LED signalling lights of the VF SL series can be installed on the switch.

The LED signalling lights can be easily installed by screwing them on one of the conduit entries not used for electric cables. They can be used for many different purposes: for example, to signal, from a distance, whether the switch has been actuated; whether the guard has closed correctly; or whether the guard is locked or unlocked.

For more information see chapter Accessories, page 321.

Selection diagram



● product option
 → sold separately as accessory



Code structure

Attention! The feasibility of a code number does not mean the effective availability of a product. Please contact our sales office.

article options

FG 60AD1D0A-LP30F20GK900T6V34

Contact block		
	Contacts activated by the solenoid	Contacts activated by the actuator
60A	1NO+1NC	1NO+1NC
60B	2NC	1NO+1NC
60C	3NC	1NC
60D	1NO+1NC	2NC
60E	1NO+2NC	1NC
60F	1NO+2NC	1NO
60G	2NC	2NC
60H	4NC	/
60I	3NC	1NO
60L	2NO+1NC	1NC
60M	2NO+1NC	1NO
60N	1NO+1NC	2NO
60P	1NC	3NC
60R	2NO+2NC	/
60S	1NC	2NO+1NC
60T	1NC	1NO+2NC
60U	/	4NC
60V	2NC	2NO
60X	1NO	3NC
60Y	1NO	1NO+2NC
61A	/	1NO+3NC
61B	/	2NO+2NC
61C	/	3NO+1NC
61D	1NC	3NO
61E	1NO	2NO+1NC
61G	2NO	1NO+1NC
61H	2NO	2NC
61M	3NO	1NC
61R	1NO+3NC	/
61S	3NO+1NC	/

Note: contact blocks 60U, 61A, 61B, 61C cannot be combined with operating principles D6D, D7D, D7E

Operating principle	
D1D	locked actuator with de-energised solenoid
D1E	locked actuator with energised solenoid
D5D	locked actuator with de-energised solenoid. With key release
D6D	locked actuator with de-energised solenoid. With key release and escape release button
D7D	locked actuator with de-energised solenoid. With escape release button
D7E	locked actuator with energised solenoid. With escape release button

Auxiliary release options

(only for articles FG *****D5D****, FG *****D6D****)

	The key can be removed in locked and unlocked actuator position (standard)
V34	The key can be removed only in the locked position of the actuator
V70	Key release with triangular key with spring return.
V73	Key release with triangular key, no spring return.

Ambient temperature

-25°C ... +60°C (standard)

T6 -40°C ... +60°C

Pre-installed connectors

without connector (standard)

K900 M23 metal connector, 12-pole, bottom

... ..

K110 M12 metal connector, 12-pole, bottom

... ..

For the complete list of possible combinations please contact our technical department.

Contact type

silver contacts (standard)

G silver contacts with 1 µm gold coating

Actuators

without actuator (standard)

F20 straight actuator VF KEYF20

F21 angled actuator VF KEYF21

F22 actuator with rubber pads VF KEYF22

F28 universal actuator VF KEYF28

Release button length

for max. 15 mm wall thickness (standard)

LP30 for max. 30 mm wall thickness

LP40 for max. 40 mm wall thickness

LP60 for max. 60 mm wall thickness

LPRG adjustable, for wall thickness from 60 mm to 500 mm

Signalling LED

A two green LEDs switched-on by the solenoid power supply

B red and green LEDs, freely configurable

C orange and green LEDs, freely configurable

Z without LED

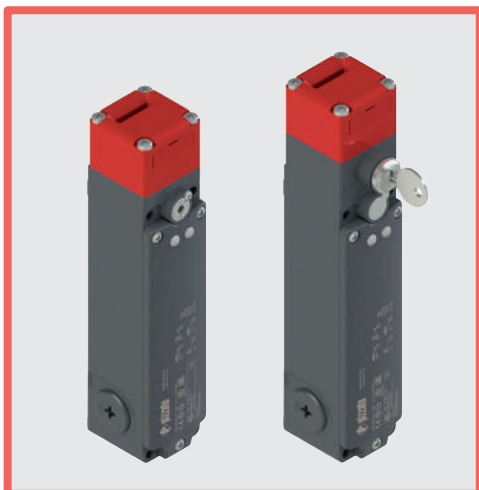
Solenoid supply voltage

0 24 Vac/dc (-10% ... +10%)

1 120 Vac/dc (-15% ... +10%)

2 230 Vac (-15% ... +10%)

3 12 Vdc (-15% ... +20%)



Main features

- Actuator holding force F_{1max} : 2800 N
- 30 contact blocks with 4 contacts
- Metal housing, three M20 conduit entries
- Protection degree IP67
- Versions with key release and escape release button
- 4 stainless steel actuators
- Head and release devices, individually turnable and non-detachable
- Signalling LED
- Operation with energised or de-energised solenoid

Quality marks:



IMQ approval:	CA02.03808
UL approval:	E131787
CCC approval:	2013010305602309
EAC approval:	RU C-IT.A135.B.00454

Technical data

Housing

Metal head and housing, baked powder coating.	
Three threaded conduit entries:	M20x1.5 (standard)
Protection degree:	IP67 acc. to EN 60529 with cable gland of equal or higher protection degree

General data

SIL (SIL CL) up to:	SIL 3 acc. to EN 62061
Performance Level (PL) up to:	PL e acc. to EN ISO 13849-1
Interlock with mechanical lock, coded:	type 2 acc. to EN ISO 14119
Coding level:	low acc. to EN ISO 14119
Safety parameters:	
B_{10D} :	5,000,000 for NC contacts
Mission time:	20 years
Ambient temperature:	-25°C ... +60°C (standard) -40°C ... +60°C (T6 option)
Max. actuation frequency:	600 operating cycles/hour
Mechanical endurance:	1 million operating cycles
Max. actuation speed:	0.5 m/s
Min. actuation speed:	1 mm/s
Maximum force before breakage F_{1max} :	2800 N acc. to EN ISO 14119
Max. holding force F_{Zh} :	2150 N acc. to EN ISO 14119
Maximum clearance of locked actuator:	4.5 mm
Released actuator extraction force:	30 N
Tightening torques for installation:	see page 339
Wire cross-sections and wire stripping lengths:	see page 357

Solenoid

Duty cycle:	100% ED (continuous operation)
Solenoid protection 12 V:	type gG fuse 1 A
Solenoid protection 24 V:	type gG fuse 0.5 A
Solenoid protection 120 V:	fuse 315 mA, delayed
Solenoid protection 230 V:	fuse 315 mA, delayed
Solenoid consumption:	9 VA

In compliance with standards:

IEC 60947-5-1, IEC 60947-1, IEC 60204-1, EN ISO 14119, EN ISO 12100, IEC 60529, IEC 61000-6-2, IEC 61000-6-3, EN IEC 63000, BG-GS-ET-15, UL 508, CSA 22.2 N. 14.

Approvals:

EN 60947-5-1, UL 508, CSA 22.2 N. 14, GB/T14048.5-2017.

Compliance with the requirements of:

Machinery Directive 2006/42/EC, EMC Directive 2014/30/EU, RoHS Directive 2011/65/EU.

Positive contact opening in conformity with standards:

IEC 60947-5-1, EN 60947-5-1.

⚠ If not expressly indicated in this chapter, for correct installation and utilization of all articles see the instructions given on pages 337 to 350.

Electrical data

Utilization category

without connector	Thermal current (I_{th}):	10 A	Alternating current: AC15 (50÷60 Hz)			
	Rated insulation voltage (U):	400 Vac 300 Vdc	U_e (V)	120	250	400
	Rated impulse withstand voltage (U_{imp}):	6 kV	I_e (A)	6	5	3
	Conditional short circuit current:	1000 A acc. to EN 60947-5-1	Direct current: DC13			
	Protection against short circuits:	type gG fuse 10 A 500 V	U_e (V)	24	125	250
	Pollution degree:	3	I_e (A)	3	0.7	0.4

with M23 connector, 12-pole	Thermal current (I_{th}):	8 A	Alternating current: AC15 (50÷60 Hz)			
	Rated insulation voltage (U):	250 Vac 300 Vdc	U_e (V)	120	250	
	Protection against short circuits:	type gG fuse 8 A 500 V	I_e (A)	6	5	
	Pollution degree:	3	Direct current: DC13			
			U_e (V)	24	125	250
			I_e (A)	3	0.7	0.4

with M12 connector, 12-pole	Thermal current (I_{th}):	1.5 A	Alternating current: AC15 (50÷60 Hz)			
	Rated insulation voltage (U):	30 Vac 36 Vdc	U_e (V)	24		
	Protection against short circuits:	type gG fuse 1.5 A	I_e (A)	1.5		
	Pollution degree:	3	Direct current: DC13			
			U_e (V)	24		
			I_e (A)	1.5		

Features approved by IMQ

Rated insulation voltage (U): 400 Vac
 Conventional free air thermal current (I_m): 10 A
 Protection against short circuits: type gG fuse 10 A 500 V
 Rated impulse withstand voltage (U_{imp}): 6 kV
 Protection degree of the housing: IP67
 MV terminals (screw terminals)
 Pollution degree: 3
 Utilization category: AC15
 Operating voltage (U_e): 400 Vac (50 Hz)
 Operating current (I_e): 3 A

Forms of the contact element: X+X+X+X, Y+Y+Y+Y, X+Y+Y+Y, X+X+Y+Y, X+X+X+Y
 Positive opening of contacts on all contact blocks: 60A, 60B, 60C, 60D, 60E, 60F, 60G, 60H, 60I, 60L, 60M, 60N, 60P, 60R, 60S, 60T, 60U, 60V, 60X, 60Y, 61A, 61B, 61C, 61D, 61E, 61G, 61H, 61M, 61R, 61S

In compliance with standards: EN 60947-1, EN 60947-5-1, fundamental requirements of the Low Voltage Directive 2014/35/EU.

Please contact our technical department for the list of approved products.

Features approved by UL

Electrical Ratings: A300 pilot duty (720 VA, 120-300 Vac)
 Q300 pilot duty (69 VA, 125-250 Vdc)
 Environmental Ratings: Types 1, 4X, 12, 13

Please contact our technical department for the list of approved products.

Operating principle

The operating principle of these safety switches allows three different operating states:

- state A**: with inserted and locked actuator
- state B**: with inserted but not locked actuator
- state C**: with extracted actuator

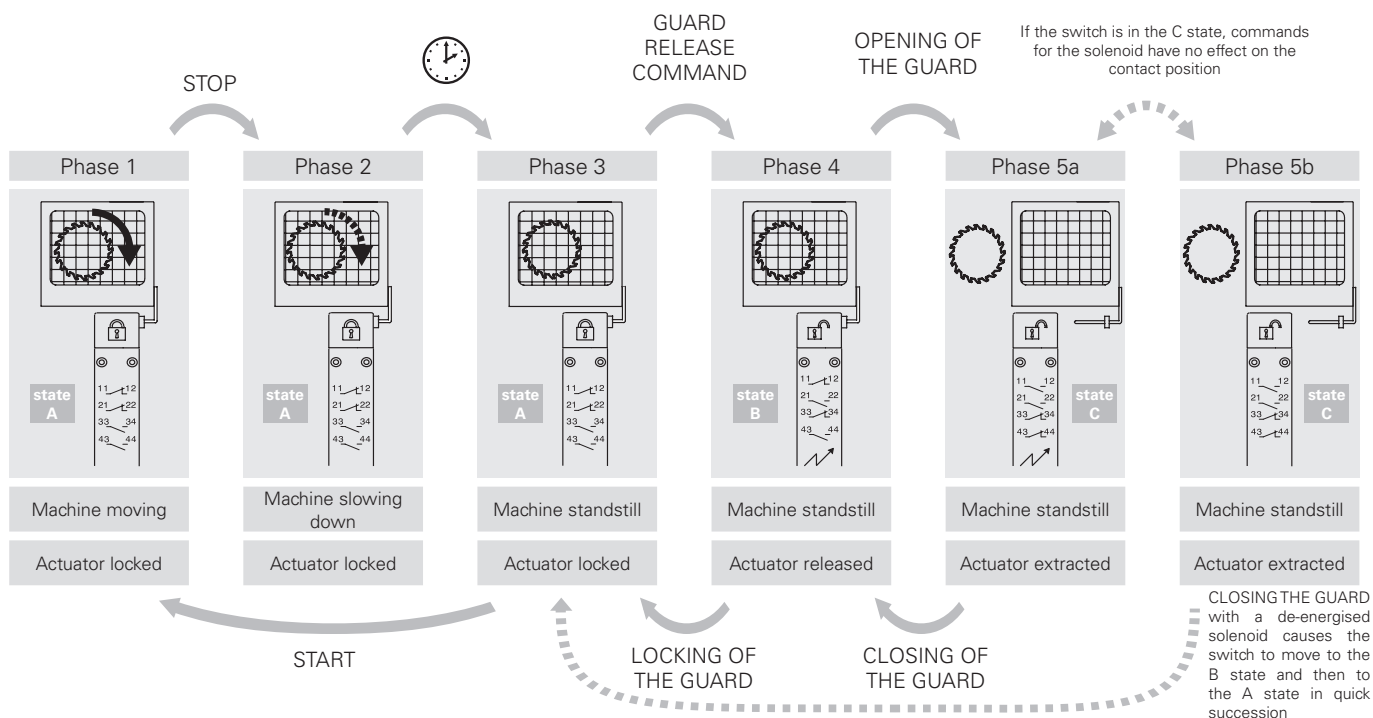
All or some of these states can be monitored by means of electrical NO contacts or NC contacts with positive opening by selecting the appropriate contact blocks. In detail, contact blocks that have electric contacts marked with the symbol of the solenoid () are switched in the transition between the state A and state B, while the electric contacts marked with the symbol of the actuator () are switched between state B and state C.

Operating principle

Select from two operating principles for actuator locking:

- **Operating principle D**: locked actuator with de-energised solenoid. The actuator is released by applying the power supply to the solenoid (see example of the operating phases).
- **Operating principle E**: locked actuator with energised solenoid. The actuator is released by switching off the power supply to the solenoid. This version should only be used under certain conditions, since a power failure at the system will result in the immediate opening of the guard.

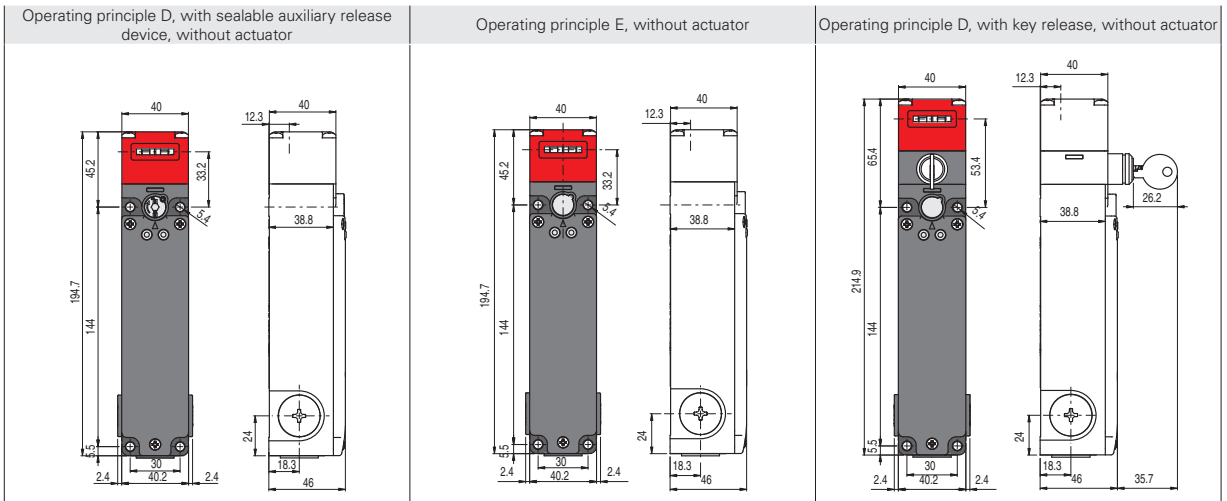
Example: operating phases with FG 60AD1D0A-F21 (switch with operating principle D)



Contact positions related to switch states

Operating state	Operating principle D locked actuator with de-energised solenoid			Operating principle E locked actuator with energised solenoid		
	state A	state B	state C	state A	state B	state C
	Inserted and locked De-energised	Inserted and released Energised	Extracted -	Inserted and locked Energised	Inserted and released De-energised	Extracted -
FG 60A 1NO+1NC controlled by the solenoid 1NO+1NC controlled by the actuator						
FG 60B 2NC controlled by the solenoid 1NO+1NC controlled by the actuator						
FG 60C 3NC controlled by the solenoid 1NC controlled by the actuator						
FG 60D 1NO+1NC controlled by the solenoid 2NC controlled by the actuator						
FG 60E 1NO+2NC controlled by the solenoid 1NC controlled by the actuator						
FG 60F 1NO+2NC controlled by the solenoid 1NO controlled by the actuator						
FG 60G 2NC controlled by the solenoid 2NC controlled by the actuator						
FG 60H 4NC controlled by the solenoid						
FG 60I 3NC controlled by the solenoid 1NO controlled by the actuator						
FG 60L 2NO+1NC controlled by the solenoid 1NC controlled by the actuator						
FG 60M 2NO+1NC controlled by the solenoid 1NO controlled by the actuator						
FG 60N 1NO+1NC controlled by the solenoid 2NO controlled by the actuator						
FG 60P 1NC controlled by the solenoid 3NC controlled by the actuator						
FG 60R 2NO+2NC controlled by the solenoid						
FG 60S 1NC controlled by the solenoid 2NO+1NC controlled by the actuator						

Contact type
 = slow action



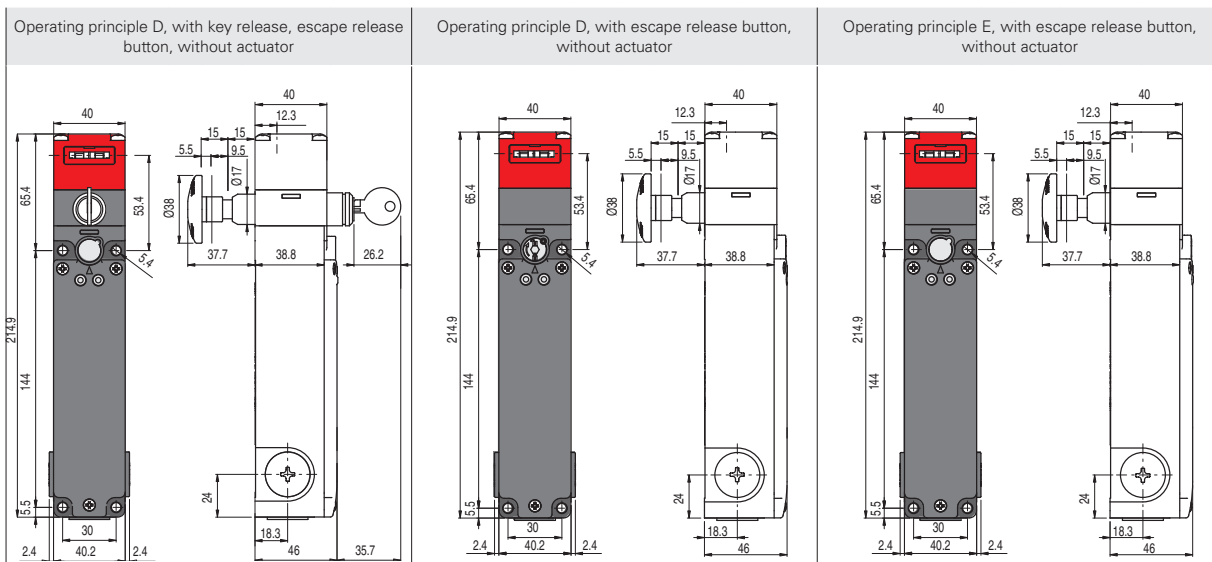
Contact block

	Operating principle D, with sealable auxiliary release device, without actuator	Operating principle E, without actuator	Operating principle D, with key release, without actuator
60A	FG 60AD1D0A 1NO+1NC 1NO+1NC	FG 60AD1E0A 1NO+1NC 1NO+1NC	FG 60AD5D0A 1NO+1NC 1NO+1NC
60B	FG 60BD1D0A 2NC 1NO+1NC	FG 60BD1E0A 2NC 1NO+1NC	FG 60BD5D0A 2NC 1NO+1NC
60C	FG 60CD1D0A 3NC 1NC	FG 60CD1E0A 3NC 1NC	FG 60CD5D0A 3NC 1NC
60D	FG 60DD1D0A 1NO+1NC 2NC	FG 60DD1E0A 1NO+1NC 2NC	FG 60DD5D0A 1NO+1NC 2NC
60E	FG 60ED1D0A 1NO+2NC 1NC	FG 60ED1E0A 1NO+2NC 1NC	FG 60ED5D0A 1NO+2NC 1NC
60F	FG 60FD1D0A 1NO+2NC 1NO	FG 60FD1E0A 1NO+2NC 1NO	FG 60FD5D0A 1NO+2NC 1NO
60G	FG 60GD1D0A 2NC 2NC	FG 60GD1E0A 2NC 2NC	FG 60GD5D0A 2NC 2NC
60H	FG 60HD1D0A 4NC /	FG 60HD1E0A 4NC /	FG 60HD5D0A 4NC /
60I	FG 60ID1D0A 3NC 1NO	FG 60ID1E0A 3NC 1NO	FG 60ID5D0A 3NC 1NO
60L	FG 60LD1D0A 2NO+1NC 1NC	FG 60LD1E0A 2NO+1NC 1NC	FG 60LD5D0A 2NO+1NC 1NC
60M	FG 60MD1D0A 2NO+1NC 1NO	FG 60MD1E0A 2NO+1NC 1NO	FG 60MD5D0A 2NO+1NC 1NO
60N	FG 60ND1D0A 1NO+1NC 2NO	FG 60ND1E0A 1NO+1NC 2NO	FG 60ND5D0A 1NO+1NC 2NO
60P	FG 60PD1D0A 1NC 3NC	FG 60PD1E0A 1NC 3NC	FG 60PD5D0A 1NC 3NC
60R	FG 60RD1D0A 2NO+2NC /	FG 60RD1E0A 2NO+2NC /	FG 60RD5D0A 2NO+2NC /
60S	FG 60SD1D0A 1NC 2NO+1NC	FG 60SD1E0A 1NC 2NO+1NC	FG 60SD5D0A 1NC 2NO+1NC
60T	FG 60TD1D0A 1NC 1NO+2NC	FG 60TD1E0A 1NC 1NO+2NC	FG 60TD5D0A 1NC 1NO+2NC
60U	FG 60UD1D0A / 4NC	FG 60UD1E0A / 4NC	FG 60UD5D0A / 4NC
60V	FG 60VD1D0A 2NC 2NO	FG 60VD1E0A 2NC 2NO	FG 60VD5D0A 2NC 2NO
60X	FG 60XD1D0A 1NO 3NC	FG 60XD1E0A 1NO 3NC	FG 60XD5D0A 1NO 3NC
60Y	FG 60YD1D0A 1NO 1NO+2NC	FG 60YD1E0A 1NO 1NO+2NC	FG 60YD5D0A 1NO 1NO+2NC
61A	FG 61AD1D0A / 1NO+3NC	FG 61AD1E0A / 1NO+3NC	FG 61AD5D0A / 1NO+3NC
61B	FG 61BD1D0A / 2NO+2NC	FG 61BD1E0A / 2NO+2NC	FG 61BD5D0A / 2NO+2NC
61C	FG 61CD1D0A / 3NO+1NC	FG 61CD1E0A / 3NO+1NC	FG 61CD5D0A / 3NO+1NC
61D	FG 61DD1D0A 1NC 3NO	FG 61DD1E0A 1NC 3NO	FG 61DD5D0A 1NC 3NO
61E	FG 61ED1D0A 1NO 2NO+1NC	FG 61ED1E0A 1NO 2NO+1NC	FG 61ED5D0A 1NO 2NO+1NC
61G	FG 61GD1D0A 2NO 1NO+1NC	FG 61GD1E0A 2NO 1NO+1NC	FG 61GD5D0A 2NO 1NO+1NC
61H	FG 61HD1D0A 2NO 2NC	FG 61HD1E0A 2NO 2NC	FG 61HD5D0A 2NO 2NC
61M	FG 61MD1D0A 3NO 1NC	FG 61MD1E0A 3NO 1NC	FG 61MD5D0A 3NO 1NC
61R	FG 61RD1D0A 1NO+3NC /	FG 61RD1E0A 1NO+3NC /	FG 61RD5D0A 1NO+3NC /
61S	FG 61SD1D0A 3NO+1NC /	FG 61SD1E0A 3NO+1NC /	FG 61SD5D0A 3NO+1NC /
Actuating force	30 N (60 N)	30 N (60 N)	30 N (60 N)
Travel diagrams	Page 117	Page 117	Page 117

Legend: With positive opening according to EN 60947-5-1, interlock with lock monitoring acc. to EN ISO 14119



Contact type
 = slow action



Contact block

60A		FG 60AD6D0A			1NO+1NC	1NO+1NC				FG 60AD7D0A			1NO+1NC	1NO+1NC				FG 60AD7E0A			1NO+1NC	1NO+1NC	
60B		FG 60BD6D0A			2NC	1NO+1NC				FG 60BD7D0A			2NC	1NO+1NC				FG 60BD7E0A			2NC	1NO+1NC	
60C		FG 60CD6D0A			3NC	1NC				FG 60CD7D0A			3NC	1NC				FG 60CD7E0A			3NC	1NC	
60D		FG 60DD6D0A			1NO+1NC	2NC				FG 60DD7D0A			1NO+1NC	2NC				FG 60DD7E0A			1NO+1NC	2NC	
60E		FG 60ED6D0A			1NO+2NC	1NC				FG 60ED7D0A			1NO+2NC	1NC				FG 60ED7E0A			1NO+2NC	1NC	
60F		FG 60FD6D0A			1NO+2NC	1NO				FG 60FD7D0A			1NO+2NC	1NO				FG 60FD7E0A			1NO+2NC	1NO	
60G		FG 60GD6D0A			2NC	2NC				FG 60GD7D0A			2NC	2NC				FG 60GD7E0A			2NC	2NC	
60H		FG 60HD6D0A			4NC	/				FG 60HD7D0A			4NC	/				FG 60HD7E0A			4NC	/	
60I		FG 60ID6D0A			3NC	1NO				FG 60ID7D0A			3NC	1NO				FG 60ID7E0A			3NC	1NO	
60L		FG 60LD6D0A			2NO+1NC	1NC				FG 60LD7D0A			2NO+1NC	1NC				FG 60LD7E0A			2NO+1NC	1NC	
60M		FG 60MD6D0A			2NO+1NC	1NO				FG 60MD7D0A			2NO+1NC	1NO				FG 60MD7E0A			2NO+1NC	1NO	
60N		FG 60ND6D0A			1NO+1NC	2NO				FG 60ND7D0A			1NO+1NC	2NO				FG 60ND7E0A			1NO+1NC	2NO	
60P		FG 60PD6D0A			1NC	3NC				FG 60PD7D0A			1NC	3NC				FG 60PD7E0A			1NC	3NC	
60R		FG 60RD6D0A			2NO+2NC	/				FG 60RD7D0A			2NO+2NC	/				FG 60RD7E0A			2NO+2NC	/	
60S		FG 60SD6D0A			1NC	2NO+1NC				FG 60SD7D0A			1NC	2NO+1NC				FG 60SD7E0A			1NC	2NO+1NC	
60T		FG 60TD6D0A			1NC	1NO+2NC				FG 60TD7D0A			1NC	1NO+2NC				FG 60TD7E0A			1NC	1NO+2NC	
60V		FG 60VD6D0A			2NC	2NO				FG 60VD7D0A			2NC	2NO				FG 60VD7E0A			2NC	2NO	
60X		FG 60XD6D0A			1NO	3NC				FG 60XD7D0A			1NO	3NC				FG 60XD7E0A			1NO	3NC	
60Y		FG 60YD6D0A			1NO	1NO+2NC				FG 60YD7D0A			1NO	1NO+2NC				FG 60YD7E0A			1NO	1NO+2NC	
61D		FG 61DD6D0A			1NC	3NO				FG 61DD7D0A			1NC	3NO				FG 61DD7E0A			1NC	3NO	
61E		FG 61ED6D0A			1NO	2NO+1NC				FG 61ED7D0A			1NO	2NO+1NC				FG 61ED7E0A			1NO	2NO+1NC	
61G		FG 61GD6D0A			2NO	1NO+1NC				FG 61GD7D0A			2NO	1NO+1NC				FG 61GD7E0A			2NO	1NO+1NC	
61H		FG 61HD6D0A			2NO	2NC				FG 61HD7D0A			2NO	2NC				FG 61HD7E0A			2NO	2NC	
61M		FG 61MD6D0A			3NO	1NC				FG 61MD7D0A			3NO	1NC				FG 61MD7E0A			3NO	1NC	
61R		FG 61RD6D0A			1NO+3NC	/				FG 61RD7D0A			1NO+3NC	/				FG 61RD7E0A			1NO+3NC	/	
61S		FG 61SD6D0A			3NO+1NC	/				FG 61SD7D0A			3NO+1NC	/				FG 61SD7E0A			3NO+1NC	/	
Actuating force		30 N (60 N)					30 N (60 N)					30 N (60 N)											
Travel diagrams		Page 117					Page 117					Page 117											

Legend: With positive opening according to EN 60947-5-1, interlock with lock monitoring acc. to EN ISO 14119

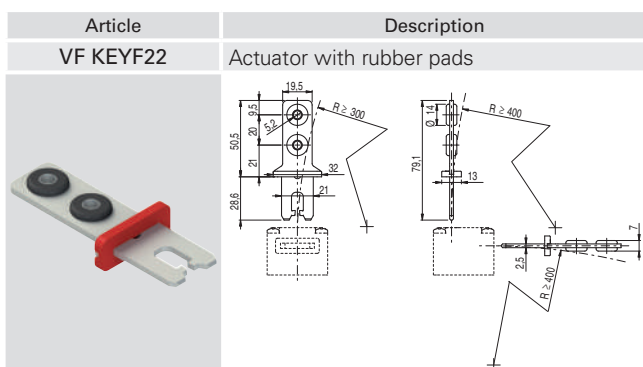
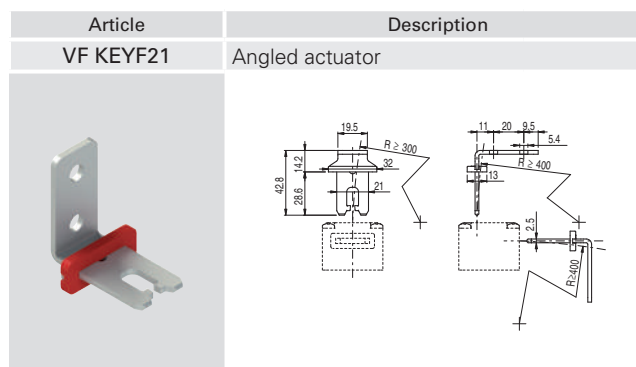
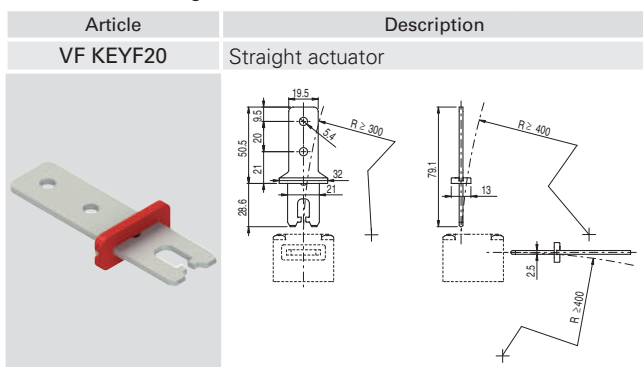
Travel diagrams

60A 2NO+2NC		60M 3NO+1NC		61A 1NO+3NC	
60B 1NO+3NC		60N 3NO+1NC		61B 2NO+2NC	
60C 4NC		60P 4NC		61C 3NO+1NC	
60D 1NO+3NC		60R 2NO+2NC		61D 3NO+1NC	
60E 1NO+3NC		60S 2NO+2NC		61E 3NO+1NC	
60F 2NO+2NC		60T 1NO+3NC		61G 3NO+1NC	
60G 4NC		60U 4NC		61H 2NO+2NC	
60H 4NC		60V 2NO+2NC		61M 3NO+1NC	
60I 1NO+3NC		60X 1NO+3NC		61R 1NO+3NC	
60L 2NO+2NC		60Y 2NO+2NC		61S 3NO+1NC	

Legend:
 Closed contact
 Open contact
 Contacts activated by the actuator
 Contacts activated by the solenoid
 Positive opening travel

Stainless steel actuators

IMPORTANT: These actuators can be used only with items of the FG series (e.g. FG 60AD1D0A).
 Low level of coding acc. to EN ISO 14119.



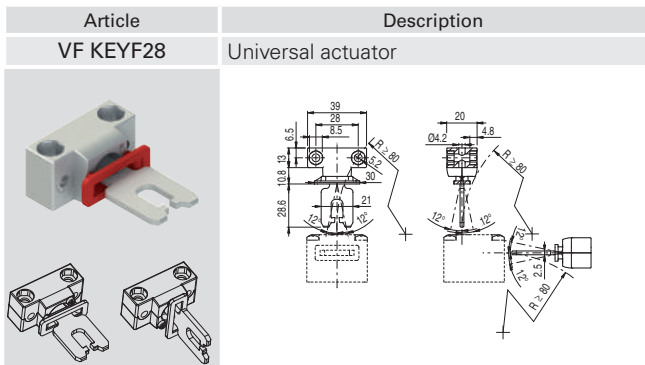
All values in the drawings are in mm

Accessories See page 321

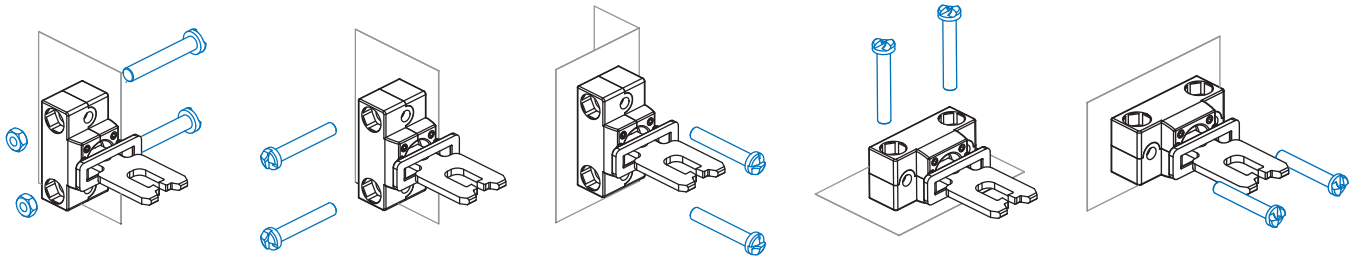
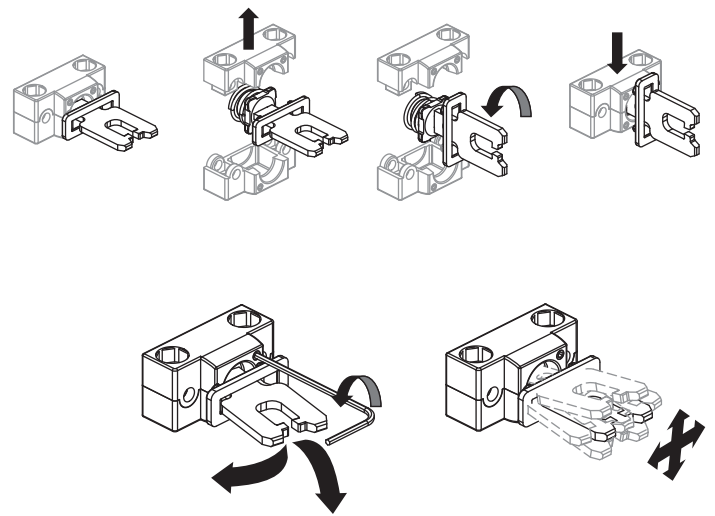
→ The 2D and 3D files are available at www.pizzato.com

Universal actuator VF KEYF28

IMPORTANT: These actuators can be used only with items of the FG series (e.g. FG 60AD1D0A).
Low level of coding acc. to EN ISO 14119.



Jointed actuator for guards with poor alignment, adjustable in two dimensions for small doors; can be mounted in various positions. The metal fixing body has two pairs of bore holes; it is provided for rotating the working plane of the actuator by 90°.



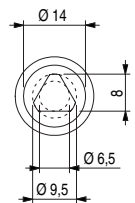
Limits of use

Do not use where dust and dirt may penetrate in any way into the head and deposit there. Especially not where powder, shavings, concrete or chemicals are sprayed. Adhere to the EN ISO 14119 requirements regarding low level of coding for interlocks. Do not use in environments with presence of explosive or flammable gas. In these cases, use ATEX products (see dedicated Pizzato catalogue).

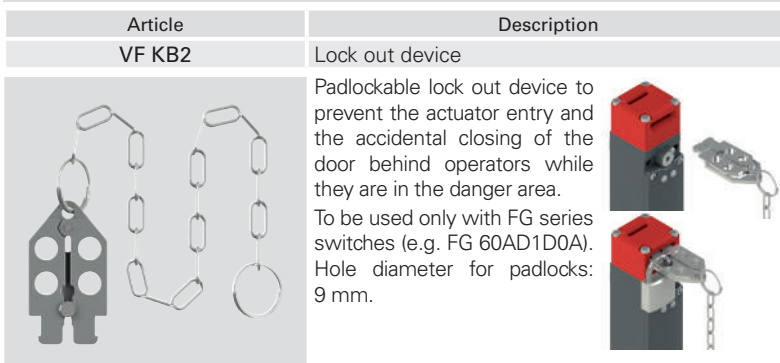
Auxiliary key release with triangular key



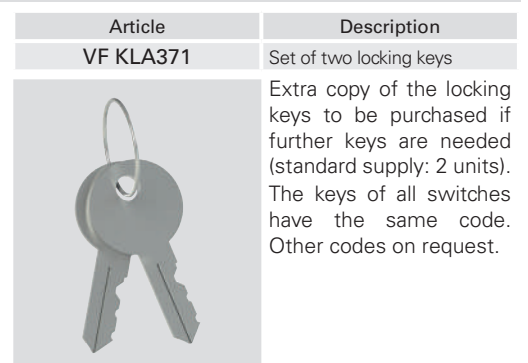
Articles with the V70 and V73 option have an auxiliary key release with a triangular key that meets DIN 22417 standards. This type of lock can be used in situations where the switch must only be unlocked using the corresponding triangular key, a tool which is not usually available. There are two versions of the triangular key release: with a spring return (option V70) and without a spring return (option V73).



Accessories

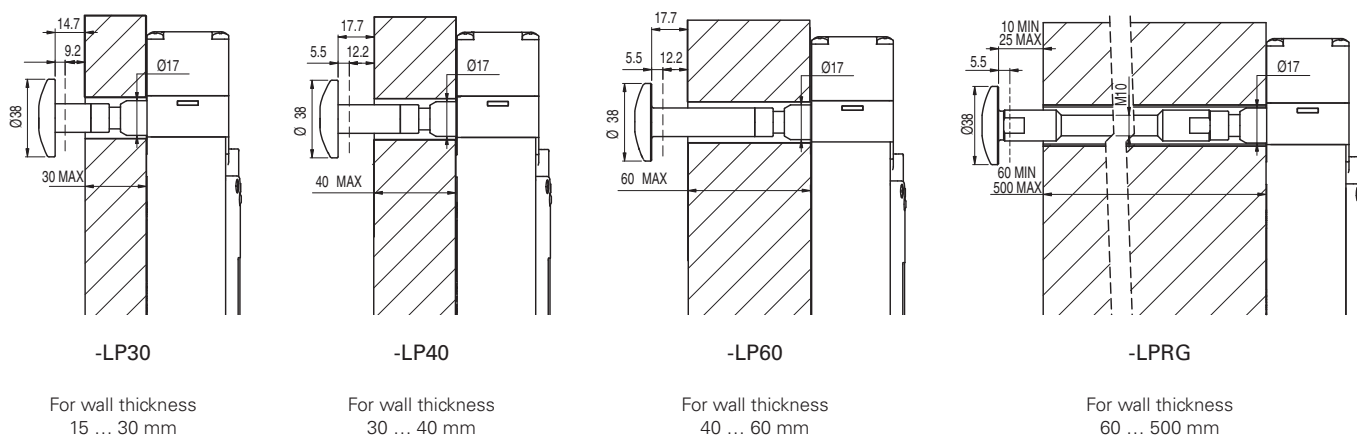


Padlockable lock out device to prevent the actuator entry and the accidental closing of the door behind operators while they are in the danger area. To be used only with FG series switches (e.g. FG 60AD1D0A). Hole diameter for padlocks: 9 mm.



Extra copy of the locking keys to be purchased if further keys are needed (standard supply: 2 units). The keys of all switches have the same code. Other codes on request.

Other release button lengths



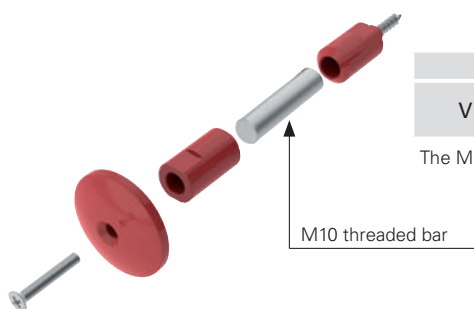
- Avoid bending and twisting the release button.
- To guarantee correct device operation, keep a distance of 10 ... 25 mm between the wall and the release button.
- The actuation path of the release button must always be kept clean. Dirt or chemical products could compromise the device operation.
- Periodically check the device for proper function.

- Avoid bending and twisting the release button.
- On the inside of the wall, use a bushing or a tube with an inner diameter of 18 ± 0.5 mm as a guide.
- Guide in the M10 threaded rod in such a way so as to prevent bending. The M10 threaded rod is not supplied with the device.
- Use medium-strength thread locker to secure the threaded rod.
- Do not exceed an overall length of 500 mm between the release button and the switch.
- To guarantee correct device operation, keep a distance of 10 ... 25 mm between the wall and the release button.
- The actuation path of the release button must always be kept clean. Dirt or chemical products could compromise the device operation.
- Periodically check the device for proper function.

Release button



Article	Description
VF FG-LP15	Technopolymer release button for max. 15 mm wall thickness, supplied with screw
VF FG-LP30	Technopolymer release button for max. 30 mm wall thickness, supplied with screw
VF FG-LP40	Technopolymer release button for max. 40 mm wall thickness, supplied with screw
VF FG-LP60	Metal release button for max. 60 mm wall thickness, supplied with screw



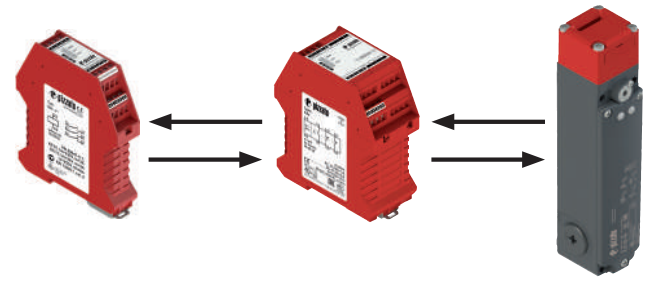
Article	Description
VF FG-LPRG	Metal release button for wall thickness from 60 to 500 mm, supplied with 2 supports and 2 screws, without M10 threaded bar

The M10 bar can be supplied in zinc-plated steel with 1 m length. Article: AC 8512.



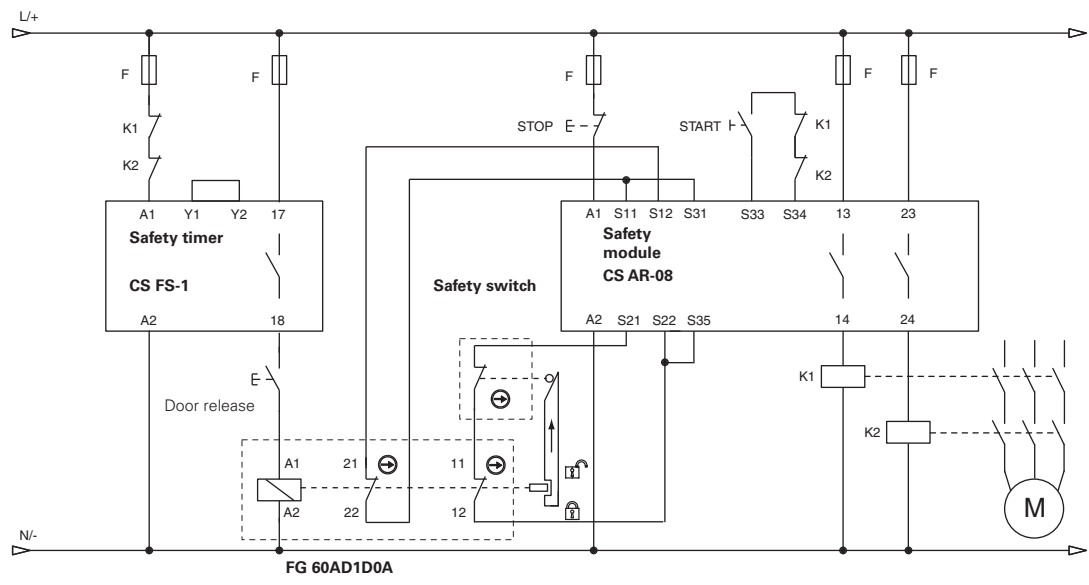
Safety modules

Pizzato Elettrica offers its customers a wide range of safety modules. These were developed taking into consideration typical problems encountered during the monitoring of safety switches under actual operating conditions. Safety modules with instantaneous or delayed contacts for emergency circuits of type 0 (immediate stop) or type 1 (controlled stop).

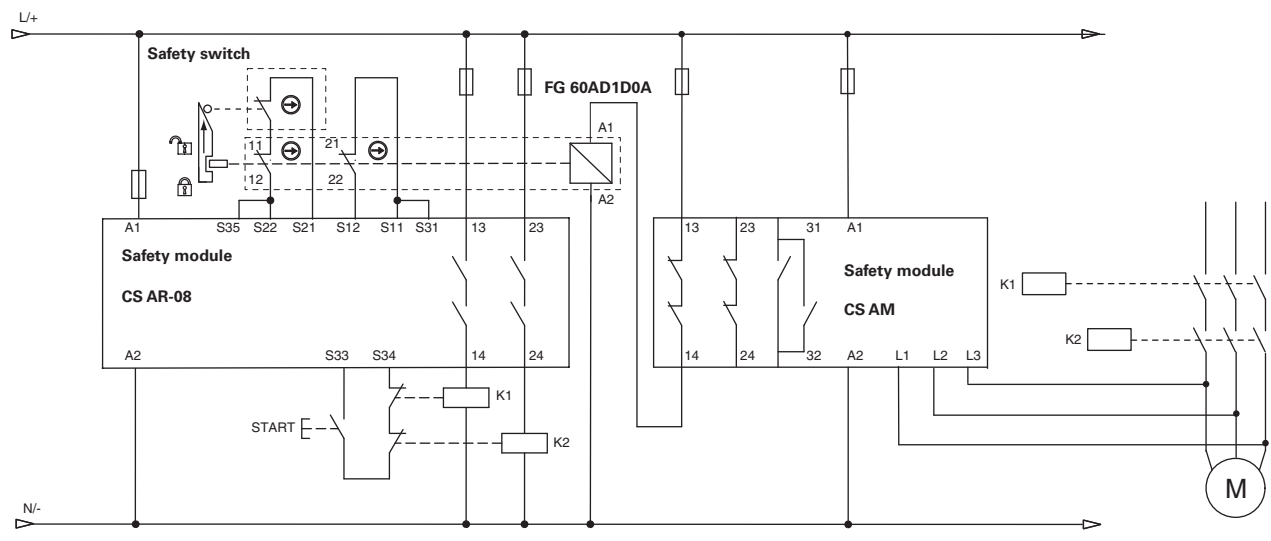


Safety switches with solenoid of the FG series can be connected to safety modules for the realization of safety circuits up to PL e acc. to EN ISO 13849. For technical information or wiring diagrams, please contact our technical office.

Application example with safety timer



Application example with safety module for standstill monitoring



NOTE: The NC contacts of K1 and K2 are mechanically guided (EN 60947-4-1, Annex F)