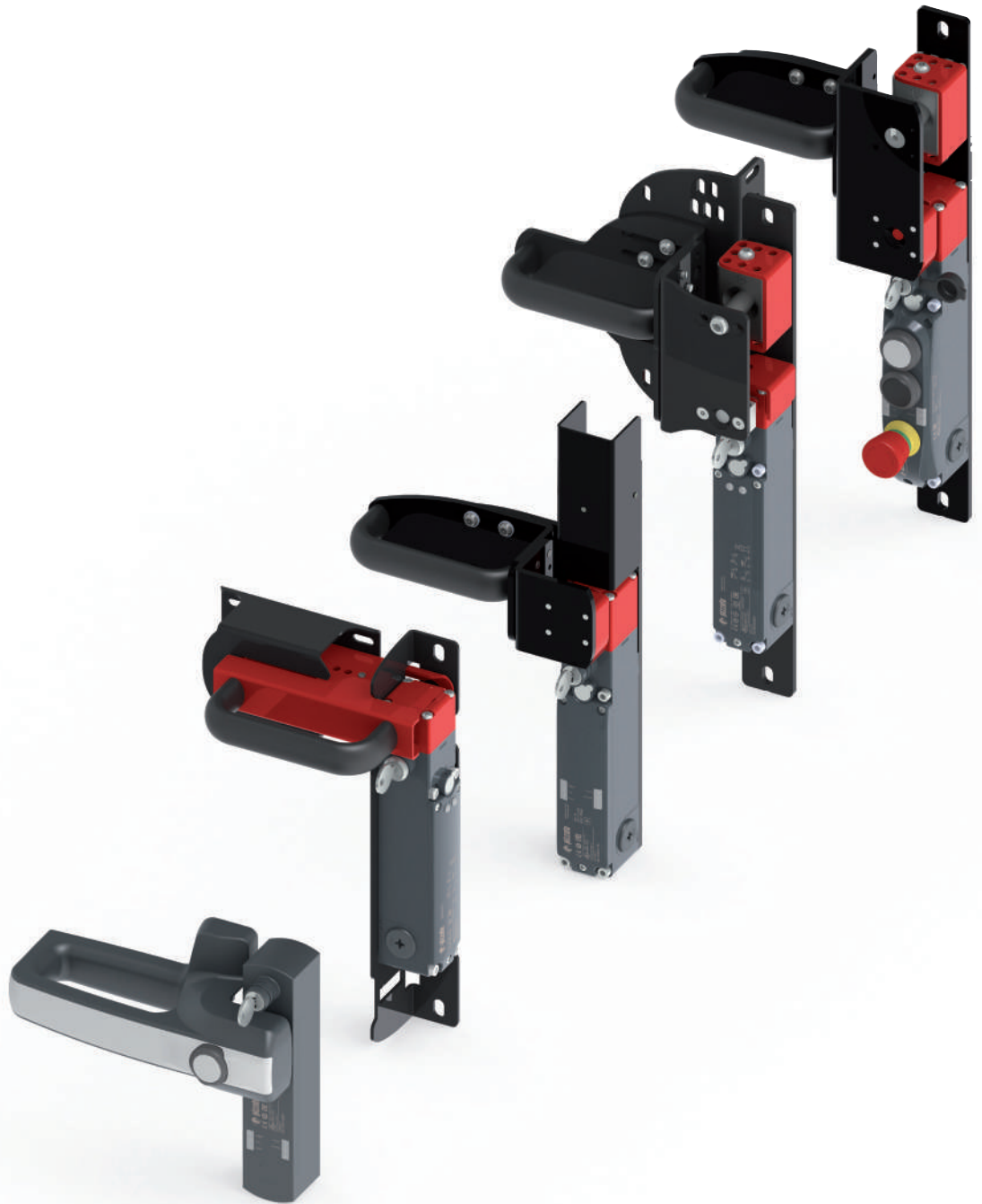
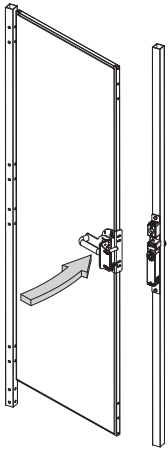


## P-KUBE safety handles



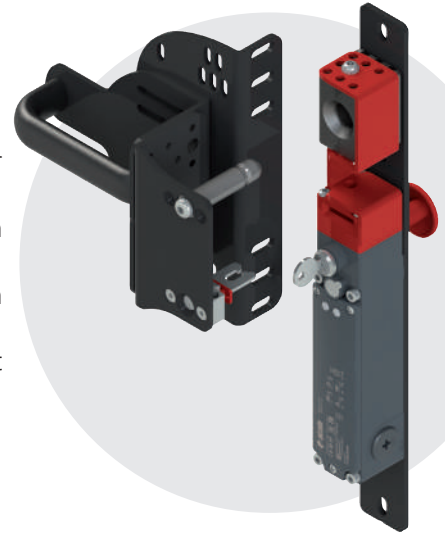


Building on its decades of experience in the field of safety switches for machinery guards, Pizzato Elettrica presents the **P-KUBE** family of safety handles. These handles, with their characteristic simplicity, versatility, and robustness, constitute an effective solution for machine builders and installers.

Robust, and compatible with all guard-locking switches, the P-KUBE handles can be used on all types of door – both hinged and sliding, left or right – with a unique product code; and they adapt with ease to all installation situations, thanks to metal brackets with adjustable slots.

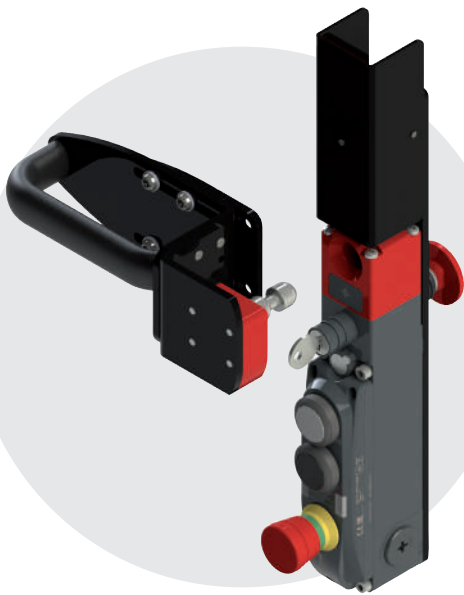
## P-KUBE 1

- Can be used with FD series safety switches with separate actuator without lock, and FG series with lock.
- Robust metal self-centring pin, to ensure perfect alignment between door and jamb.
- Metal pin with mechanical door stop at limit of travel: no safety switch mechanical stress.
- Integrated lock out device to which a padlock can be fitted, to prevent accidental guard closure.



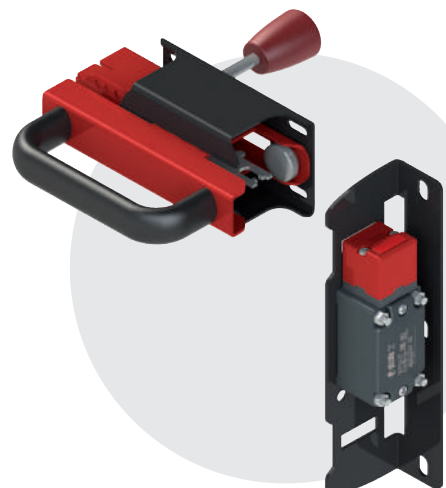
## P-KUBE 2

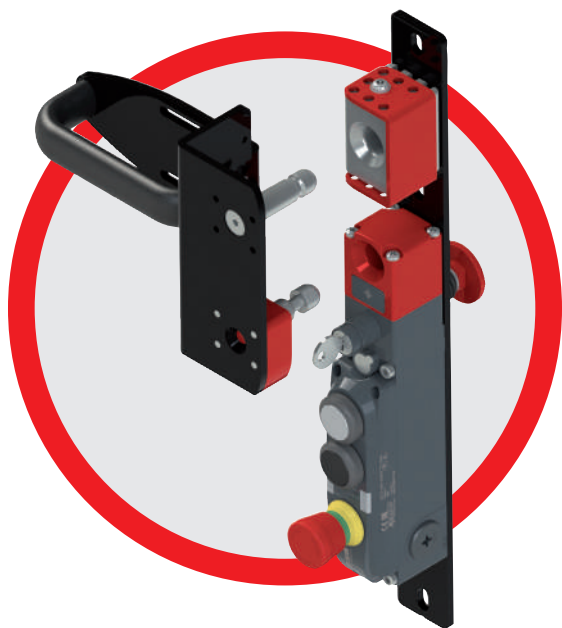
- Can be used with NG series safety switches with lock and RFID technology.
- Increased locked actuator holding force: up to 9,750 N.
- Door retaining force (30 N) when door unlocked, to prevent accidental opening.
- High level of anti bypass coding, thanks to actuators with RFID technology.
- Lock out device available on request, to which a padlock can be fitted to prevent accidental guard closure.
- Dual safety lock out: mechanical shielding, also of actuator RFID recognition.



## P-KUBE Fast

- Can be used with FD series safety switches with separate actuator without lock, and FG series with lock.
- Compact, lightweight solution.
- Integrated internal lever for emergency guard opening.
- Sliding motion with internal mechanical stop, to prevent impacts between actuator and switch during closure.
- Integrated lock out device to which a padlock can be fitted, to prevent accidental guard closure.



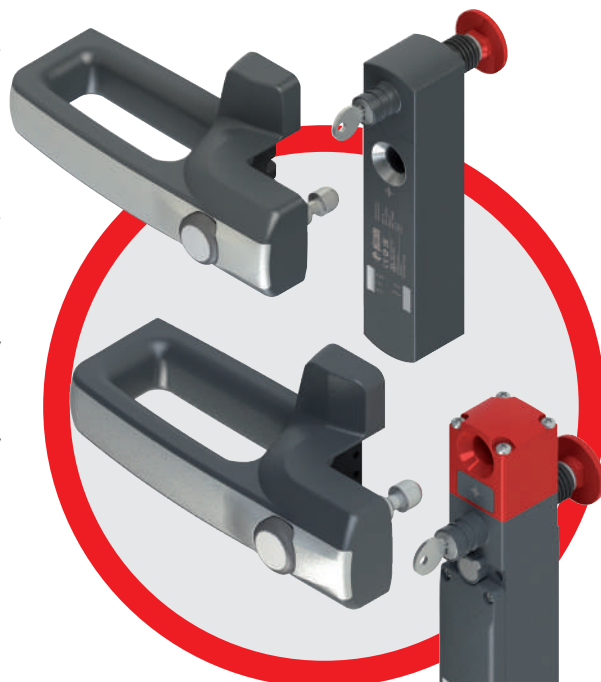
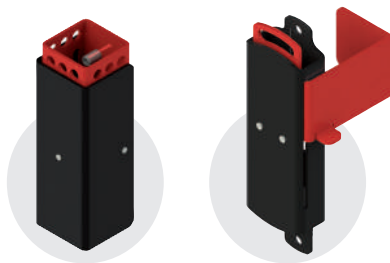


## P-KUBE Super **NEW!**

- Designed for installation in particularly demanding work environments (rolling mills, for example).
- Dual centring pin, ideal for heavier doors with significant misalignment.
- Can be used with NG series safety switches with lock and RFID technology.
- Increased locked actuator holding force: up to 9,750 N.
- Door retaining force (30 N) when door unlocked, to prevent accidental opening.
- Metal pin with mechanical door stop at limit of travel: no safety switch mechanical stress.
- High anti bypass coding level, thanks to RFID technology actuators.
- Integrated lock out device to which a padlock can be fitted, to prevent accidental guard closure.

## P-KUBE Krome **NEW!**

- Compatible with NG and NS series safety locking switches with RFID technology.
- Front handle customisable in various finishes.
- Illuminated control button, built into the handle, with call, open, reset, etc. functions.
- Modern and ergonomic design; fully concealed fixing screws and cabling.
- Tamper prevention, from interlocking protection caps inserted to fixing screw holes.
- High anti bypass coding level, thanks to RFID technology actuators.
- Compatible with lock out devices for NG and NS series safety switches with RFID technology.



- Lighting with integrated RGB LEDs, for local signalling of guard state.
- Ability to light up a single handle in green, yellow, red, blue, white, purple, and pale blue.





General Catalogue  
Detection



General Catalogue  
HMI



General Catalogue  
Safety



General Catalogue  
Elevators



DVD



Website  
[www.pizzato.com](http://www.pizzato.com)



PASSION FOR QUALITY

**Pizzato Elettrica s.r.l.** Via Torino, 1 - 36063 Marostica (VI)  
Phone +39 0424 470 930 - Fax +39 0424 470 955  
E-mail: [info@pizzato.com](mailto:info@pizzato.com) - Website: [www.pizzato.com](http://www.pizzato.com)

ZE BRC15A18-ENG

