

CO13 XXL

EMERGENCY STOP CONTROL

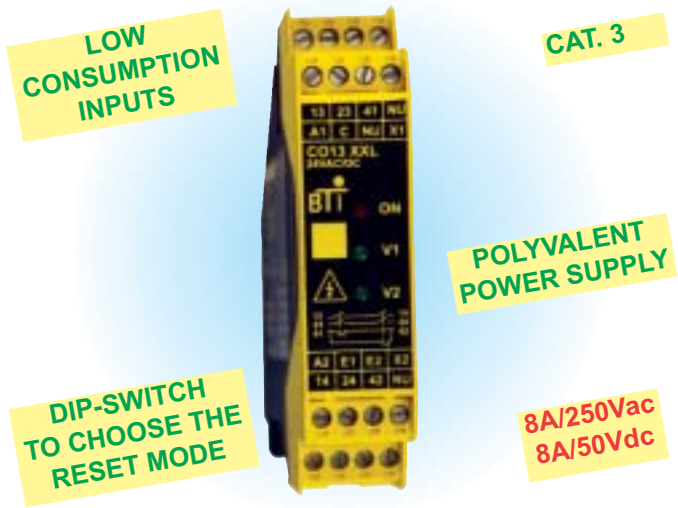
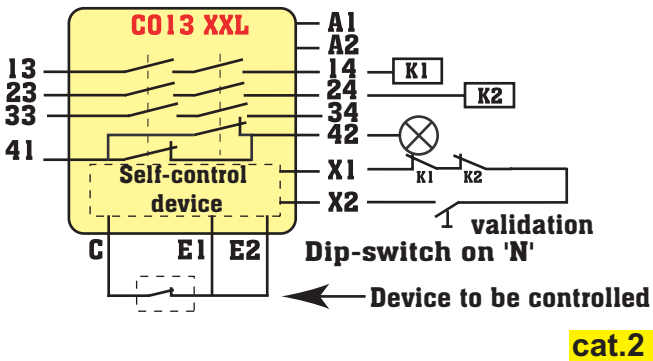
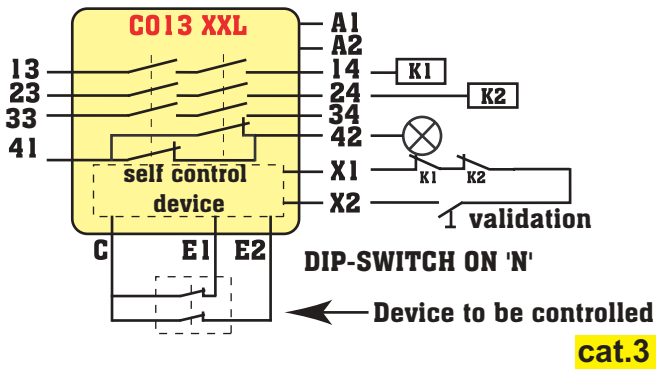
- Control of emergency stops buttons
- Control of mechanical switches
- Control of interlocking devices
- Independent supply inputs to avoid in-rush current
- Internal electrical protection, auto-resetting
- Plug-in terminals
- Dip-switch to choose the reset mode
- 24Vac/dc or 85~265Vac power supply
- 22,5 mm (24V) or 45mm (85~265V) housing

SAFETY CATEGORY

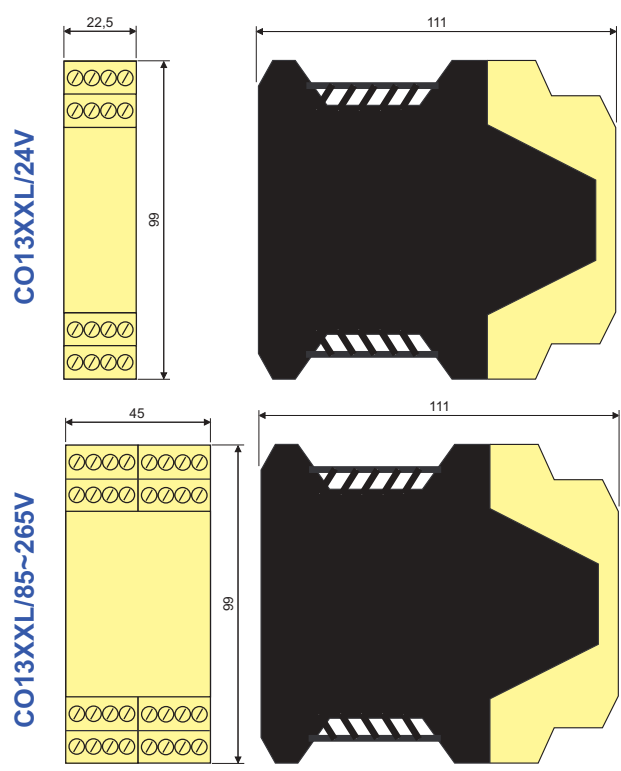
Single channel wiring : category 2 according to EN 954-1

Double channel wiring : category 3 according to EN 954-1

WIRING DIAGRAM



DIMENSIONS



APPLICATION

An economic solution to control emergency stop buttons with one or two channels. The independent low consumption input improves the reliability of the switches connected to this module.