



Bracket mounting with cable gland



Base mounting with cable exit at side

## EvoSIGNAL Maxi - LED Signal Beacon

### ① TECHNICAL SPECIFICATIONS/ORDER SPECIFICATIONS:

Dimensions (Ø x Height):	120 mm x 173 mm
Housing:	PC/ABS
Lens:	PC, transparent
Fixing:	Base/Wall/Tube mounting
Cable entry:	Cable Diameter 8-12 mm
Connection:	Push-In terminal max. 1.5 mm <sup>2</sup>
Rotation rate:	180 r.p.m.
Flash/Blinking frequency:	1 Hz

TwinLIGHT		
Voltage:	12/24 V AC/DC	115-230 V AC
Current consumption:	≤ 700 mA	≤ 165 mA
red	<b>262 110 70</b>	<b>262 110 60</b>
green	<b>262 210 70</b>	<b>262 210 60</b>
yellow	<b>262 310 70</b>	<b>262 310 60</b>
white	<b>262 410 70</b>	<b>262 410 60</b>
blue	<b>262 510 70</b>	<b>262 510 60</b>

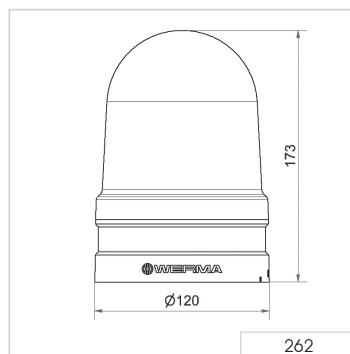
TwinFLASH		
Voltage:	12/24 V AC/DC	115-230 V AC
Current consumption:	≤ 760 mA	≤ 165 mA
red	<b>262 120 70</b>	<b>262 120 60</b>
green	<b>262 220 70</b>	<b>262 220 60</b>
yellow	<b>262 320 70</b>	<b>262 320 60</b>
white	<b>262 420 70</b>	<b>262 420 60</b>
blue	<b>262 520 70</b>	<b>262 520 60</b>

Rotating		
Voltage:	12/24 V AC/DC	115-230 V AC
Current consumption:	≤ 550 mA	≤ 170 mA
red	<b>262 140 70</b>	<b>262 140 60</b>
green	<b>262 240 70</b>	<b>262 240 60</b>
yellow	<b>262 340 70</b>	<b>262 340 60</b>
white	<b>262 440 70</b>	<b>262 440 60</b>
blue	<b>262 540 70</b>	<b>262 540 60</b>

### ✦ ACCESSORIES:

Base mounting	<b>262 700 01</b>
Base mounting with cable exit at side	<b>262 700 02</b>
Bracket mounting with cable gland	<b>262 700 06</b>
Bracket mounting with concealed cable entry	<b>262 700 07</b>

### ↔ TECHNICAL DIAGRAM:



### Signalisierungsindex

TwinLIGHT	<b>8</b>
TwinFLASH	<b>10</b>
Rotating	<b>9</b>

