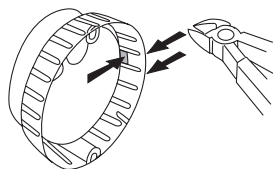




Base mounting



Wall mounting



A piece of the rim can be broken out to allow for cable entry from the side

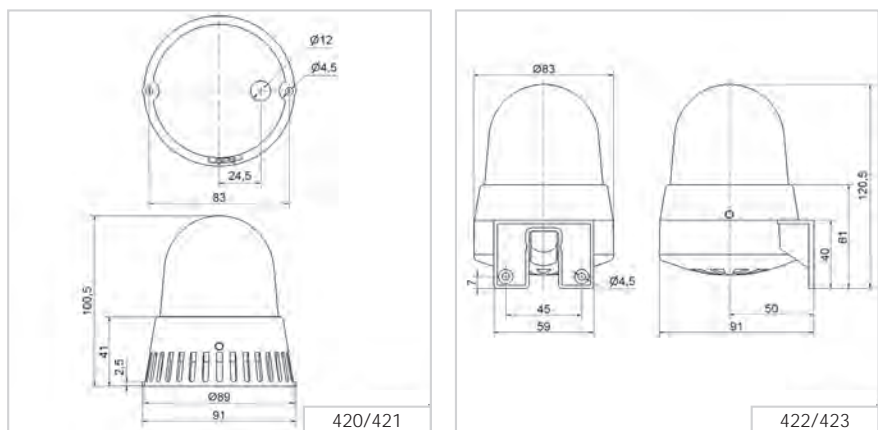
i TECHNICAL SPECIFICATIONS/ORDER SPECIFICATIONS:

	Base/Tube mounting	Wall mounting	
Dimensions (Ø x Height):	89 mm x 100,5 mm (Base mount.)	-	
Dimensions (L x H x W):	-	83 mm x 120,5 mm x 91 mm	
Housing:	PC, black	PC/ABS-Blend; PC grey	
Lens:	PC, transparent		
Connection:	Connector plug with screw terminal max. 1.5 mm ²		
Cable entry:	Cable diameter max. 9 mm		
Tone type:	Continuous tone or pulse tone, adjustable		
Tone frequency:	2,3 kHz		
Flash energy:	1 Ws		
Flash frequency:	1 Hz		
Life duration:	4 x 10 ⁶ flashes		
Fixing:	Tube mounting via accessory	Sound outlet facing downwards	
Voltage:	24 V AC/DC	115 V AC	230 V AC
Current consumption Flash:	120 mA	25 mA	35 mA
Current consumption Buzzer:	15 mA	15 mA	25 mA
Base/Tube mounting			
red	421 110 75	421 110 67	421 110 68
yellow	421 310 75	421 310 67	421 310 68
Wall mounting			
rot	423 110 75	423 110 67	423 110 68
gelb	423 310 75	423 310 67	423 310 68

ACCESSORIES:

Adaptor for tube mounting, plastic, for tube Ø 25 mm	975 420 01
Base for tube Ø 25 mm, plastic, incl. rubber seal	975 840 90
Base for tube Ø 25 mm, metal, incl. rubber seal	975 840 91
Tube Ø 25 mm, all anodized aluminium	
100 mm	975 845 10
250 mm	975 840 25

TECHNICAL DIAGRAMS:



Siganlisation index	
Continuous tone	4
Pulse tone	4
Xenon Flash	4

