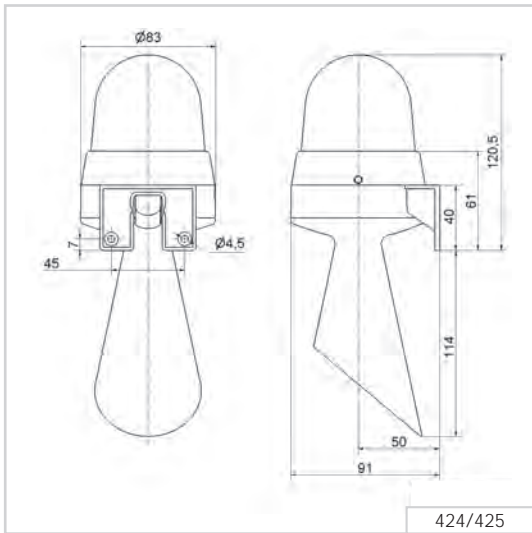




**i TECHNICAL SPECIFICATIONS/ORDER SPECIFICATIONS:**

|                                   |  |                   |                   |
|-----------------------------------|--|-------------------|-------------------|
| <b>Dimensions (L x H x W):</b>    | 83 mm x 234,5 mm x 91 mm                                     |                   |                   |
| <b>Housing:</b>                   | PC/ABS-Blend; PC grey  |                   |                   |
| <b>Lens:</b>                      | PC, transparent  |                   |                   |
| <b>Connection:</b>                | Screw terminal with wire protection max. 1.5 mm <sup>2</sup> |                   |                   |
| <b>Cable entry:</b>               | Cable diameter max. 9 mm                                     |                   |                   |
| <b>Flash energy:</b>              | 1 Ws   |                   |                   |
| <b>Flash frequency:</b>           | 1 Hz   |                   |                   |
| <b>Life duration:</b>             | 4 x 10 <sup>6</sup> Blitze (Xenon Flash)<br>5,000 h (Horn)   |                   |                   |
| <b>Tone frequency:</b>            | 110 Hz   |                   |                   |
| <b>Fixing:</b>                    | Wall mounting, Sound outlet facing downwards                 |                   |                   |
| <b>Voltage:</b>                   | 24 V AC/DC   | 115 V AC          | 230 V AC          |
| <b>Current consumption Flash:</b> | 120 mA   | 30 mA             | 30 mA             |
| <b>Current consumption Horn:</b>  | 80 mA  | 70 mA             | 70 mA             |
| red                               | <b>425 120 75</b>  | <b>425 120 67</b> | <b>425 120 68</b> |
| yellow                            | <b>425 320 75</b>  | <b>425 320 67</b> | <b>425 320 68</b> |

**TECHNICAL DIAGRAM:**



| Siganlisation index |   |
|---------------------|---|
| Horn                | 5 |
| Xenon Flash         | 4 |

adjustable (24 V)

