

# 728 Ex Xenon Flashing Beacon Midi



Ex Flashing Beacon for use in gas and dust explosion-endangered areas



Innovative solution: The universal mounting bracket (included in assembly)

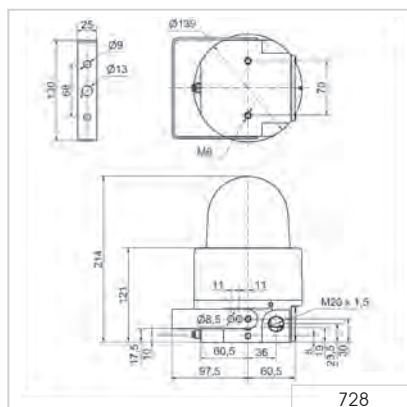
## ① TECHNICAL SPECIFICATIONS/ORDER SPECIFICATIONS:

Dimensions (Ø x Height):	139 x 214 mm	
Housing:	Black coated aluminium, salt water resistant	
Lens:	Reinforced borosilicate glass	
Connection:	CAGE CLAMP® max. 2.5 mm <sup>2</sup>	
Fixing:	Wall, base and ceiling mounting Integrated mounting bracket, stainless steel	
Cable entry:	Cable gland M20 x 1.5 mm Cable diameter 6-13 mm	
Flash energy:	c. 5 Ws	
Flash frequency::	c. 1 Hz	
Life duration:	4 x 10 <sup>6</sup> flashes	
Assembly:	Ex screw plug M20 x 1.5 mm Ex cable gland M20 x 1.5 mm	
Voltage:	24 V DC	115 V/230 V AC
Current consumption:	300 mA	150 mA
Explosion protection:	ⓧ II 2G Ex d e IIC T6 Gb ⓧ II 2D Ex tb IIIC T80°C Db	ⓧ II 2G Ex d e IIC T5 Gb ⓧ II 2D Ex tb IIIC T95°C Db
Approval:	BVS 11 ATEX E 107 IECEX_BVS_11.0082	BVS 11 ATEX E 107 IECEX_BVS_11.0082
red	<b>728 100 55</b>	<b>728 100 68</b>
yellow	<b>728 300 55</b>	<b>728 300 68</b>

## ✂ ACCESSORIES:

Ex wire guard, stainless steel	<b>975 729 03</b>
Ex cable gland M20 x 1.5 mm, metal	
To expand the temperature range from -40 °C to -50 °C	<b>975 729 04</b>
Ex screw plug M20 x 1.5 mm	<b>975 729 02</b>
Ex cable gland M20 x 1.5 mm	
For connecting to an additional beacon	<b>975 729 01</b>

## ↔ TECHNICAL DIAGRAM:



Signalisation index	
Xenon Flashing Light	7



2 G	2 D
Zone 1 + 2	Zone 21 + 22

