



Tube mounting



Accessories

i TECHNICAL SPECIFICATIONS/ORDER SPECIFICATIONS:

	Base/Bracket mounting	Tube mounting
Dimensions (Ø x Height):	98 mm x 137 mm	98 mm x 200 mm
Cable entry:		Cable diameter 5-7 mm
Housing:		PC/ABS-Blend
Lens:		PC, transparent
Connection:		Screw terminal 0.5 - 1.5 mm ²
Life duration:		Up to 50,000 hrs

LED PERMANENT/BLINKING BEACON (INTERCHANGEABLE LIGHT EFFECT)

Blinking frequency:	C. 1.5 Hz	
Voltage:	24 V DC	24 V DC
Current consumption:	≤ 150 mA	≤ 150 mA
red	829 100 55	829 107 55
green	829 200 55	829 207 55
yellow	829 300 55	829 307 55
blue	829 500 55	829 507 55

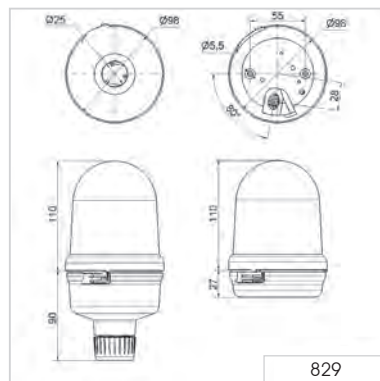
LED PERMANENT BEACON

	115 V AC	230 V AC	115 V AC	230 V AC
Current consumption:	≤ 30 mA	≤ 30 mA	≤ 30 mA	≤ 30 mA
red	829 130 67	829 130 68	829 137 67	829 137 68
green	829 230 67	829 230 68	829 237 67	829 237 68
yellow	829 330 67	829 330 68	829 337 67	829 337 68
blue	829 530 67	829 530 68	829 537 67	829 537 68

ACCESSORIES:

Plastic bracket for wall mounting	975 826 05
Wire guard, galvanised, only for base mounting	975 826 03
Tube Ø 25 mm, all anodized aluminium, 100 mm long	975 845 10
Base for tube, plastic, Ø 25 mm	975 840 90
Base for tube, metal, Ø 25 mm	975 840 91

TECHNICAL DIAGRAM:



Signalisation index	
LED Permanent Light	4
LED Blinking Light	5

Base/Bracket mounting: Tube mounting:



LED Permanent/Blinking/Rotating Beacon with external triggering



Base/Bracket mounting



Bracket (accessories)

TECHNICAL SPECIFICATIONS/ORDER SPECIFICATIONS:

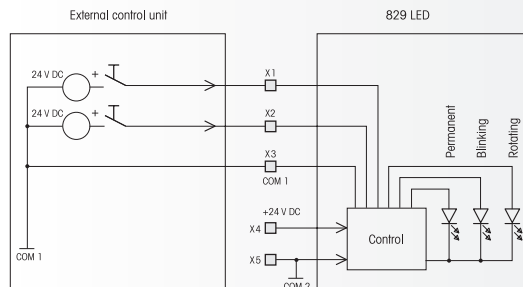
	Base/Bracket mounting	Tube mounting
Dimensions (Ø x Height):	98 mm x 137 mm	98 mm x 200 mm
Cable entry:		Cable diameter 5-7 mm
Housing:		PC/ABS-Blend
Lens:		PC, transparent
Connection:		Screw terminal 0.5 - 1.5 mm ²
Blink frequency:		C. 1.5 Hz
Rotation rate:		C. 180 r.p.m.
Life duration:		Up to 50,000 hrs
Voltage:	24 V DC	24 V DC
Current consumption:	≤ 300 mA	≤ 300 mA
red	829 150 55	829 157 55
green	829 250 55	829 257 55
yellow	829 350 55	829 357 55
blue	829 550 55	829 557 55

ACCESSORIES:

Plastic bracket for wall mounting	975 826 05
Wire guard, galvanised, only for base mounting	975 826 03
Tube Ø 25 mm, all anodized aluminium, 100 mm long	975 845 10
Base for tube, plastic, Ø 25 mm	975 840 90
Base for tube, metal, Ø 25 mm	975 840 91

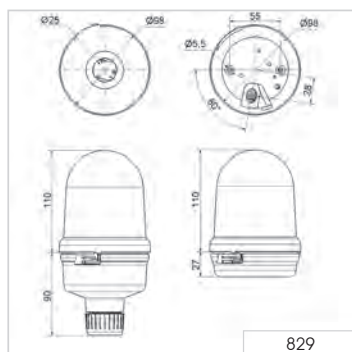
ADDITIONAL INFORMATION:

829 with external triggering - Light effects set via control cables



Thanks to the external trigger function, the range of light effects offered by the LED Beacon 829 can be set by means of electrically isolated, binary coded 24 V control cables. This guarantees a much greater level of resistance to electrical interference. The machine operator can use the different signals to indicate various machine conditions - without having to make adjustments to the beacon itself. In addition the LED beacon 829 can be used in conjunction with both positive and negative trigger logic.

TECHNICAL DIAGRAM:



Signalisation index

LED Permanent Light	4
LED Blinking Light	5
LED Rotating Light	6

Base/Bracket mounting: 220 g, Tube mounting: 255 g

UL US, CE, EAC, IP65, +50°C to -20°C





Tube mounting



Base/Bracket mounting



Accessories

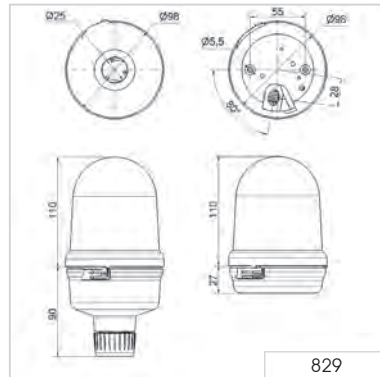
i TECHNICAL SPECIFICATIONS/ORDER SPECIFICATIONS:

	Base/Bracket mounting		Tube mounting	
Dimensions (Ø x Height):	98 mm x 137 mm		98 mm x 200 mm	
Cable entry:	Cable diameter 5-7 mm			
Housing:	PC/ABS-Blend			
Lens:	PC, transparent			
Connection:	Screw terminal 0.5 - 1.5 mm ²			
Rotation rate:	C. 180 r.p.m.			
Life duration:	Up to 50,000 hrs			
Voltage:	24 V DC	115-230 V AC	24 V DC	115-230 V AC
Current consumption:	< 170 mA	< 200 mA	< 170 mA	< 200 mA
red	829 110 55	829 110 68	829 117 55	829 117 68
green	829 210 55	829 210 68	829 217 55	829 217 68
yellow	829 310 55	829 310 68	829 317 55	829 317 68
clear	829 410 55	829 410 68	829 417 55	829 417 68
blue	829 510 55	829 510 68	829 517 55	829 517 68

ACCESSORIES:

Plastic bracket for wall mounting	975 826 05
Wire guard, galvanised, only for base mounting	975 826 03
Tube Ø 25 mm, all anodized aluminium, 100 mm long	975 845 10
Base for tube, plastic, Ø 25 mm	975 840 90
Base for tube, metal, Ø 25 mm	975 840 91

TECHNICAL DIAGRAM:



Signalisation index

LED Rotating Light 6

Base/Bracket mounting Tube mounting





Base/Bracket Mounting



Tube Mounting (tube and base for tube - accessory)

i TECHNICAL SPECIFICATIONS/ORDER SPECIFICATIONS:

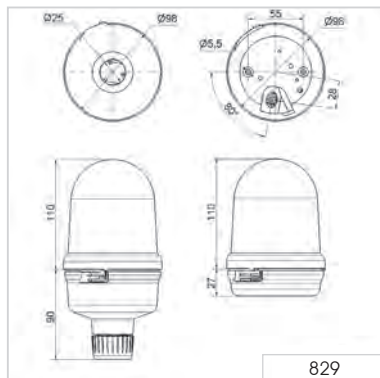
	Base/Bracket mounting		Tube mounting	
Dimensions (Ø x Height):	98 mm x 137 mm		98 mm x 200 mm	
Cable entry:			Cable diameter 5-7 mm	
Housing:			PC/ABS-Blend	
Lens:			PC, transparent	
Connection:			Screw terminal 0.5 - 1.5 mm ²	
Life duration:			Up to 50,000 hrs	
Voltage:	24 V DC	115-230 V AC	24 V DC	115-230 V AC
Current consumption:	< 100 mA		< 100 mA	
red	829 120 55	829 120 68	829 127 55	829 127 68
yellow	829 320 55	829 320 68	829 327 55	829 327 68
clear	829 420 55	829 420 68	829 427 55	829 427 68

ACCESSORIES:

Plastic bracket for wall mounting	975 826 05
Wire guard, galvanised, only for base mounting	975 826 03
Tube Ø 25 mm, all anodized aluminium, 100 mm long	975 845 10
Base for tube, plastic, Ø 25 mm	975 840 90
Base for tube, metal, Ø 25 mm	975 840 91

(Accessories see page 146)

TECHNICAL DIAGRAM:



Signalisation index	
LED Flashing Light	6





Base/Bracket mounting



Tube mounting



Accessories

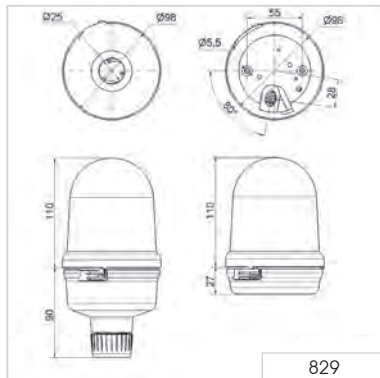
i TECHNICAL SPECIFICATIONS/ORDER SPECIFICATIONS:

	Base/Bracket mounting		Tube mounting	
Dimensions (Ø x Height):	98 mm x 137 mm		98 mm x 200 mm	
Cable entry:			Cable diameter 5-7 mm	
Housing:			PC/ABS-Blend	
Lens:			PC, transparent	
Connection:			Screw terminal 0.5 - 1.5 mm ²	
Life duration:			Up to 50,000 hrs	
Voltage:	24 V DC	115-230 V AC	24 V DC	115-230 V AC
Current consumption:	< 300 mA	< 150 mA	< 300 mA	< 150 mA
red	829 190 55	829 190 68	829 197 55	829 197 68
yellow	829 390 55	829 390 68	829 397 55	829 397 68
clear	829 490 55	829 490 68	829 497 55	829 497 68

ACCESSORIES:

Plastic bracket for wall mounting	975 826 05
Wire guard, galvanised, only for base mounting	975 826 03
Tube Ø 25 mm, all anodized aluminium, 100 mm long	975 845 10
Base for tube, plastic, Ø 25 mm	975 840 90
Base for tube, metal, Ø 25 mm	975 840 91

TECHNICAL DIAGRAM:



Signalisation index

LED EVS Light 8

