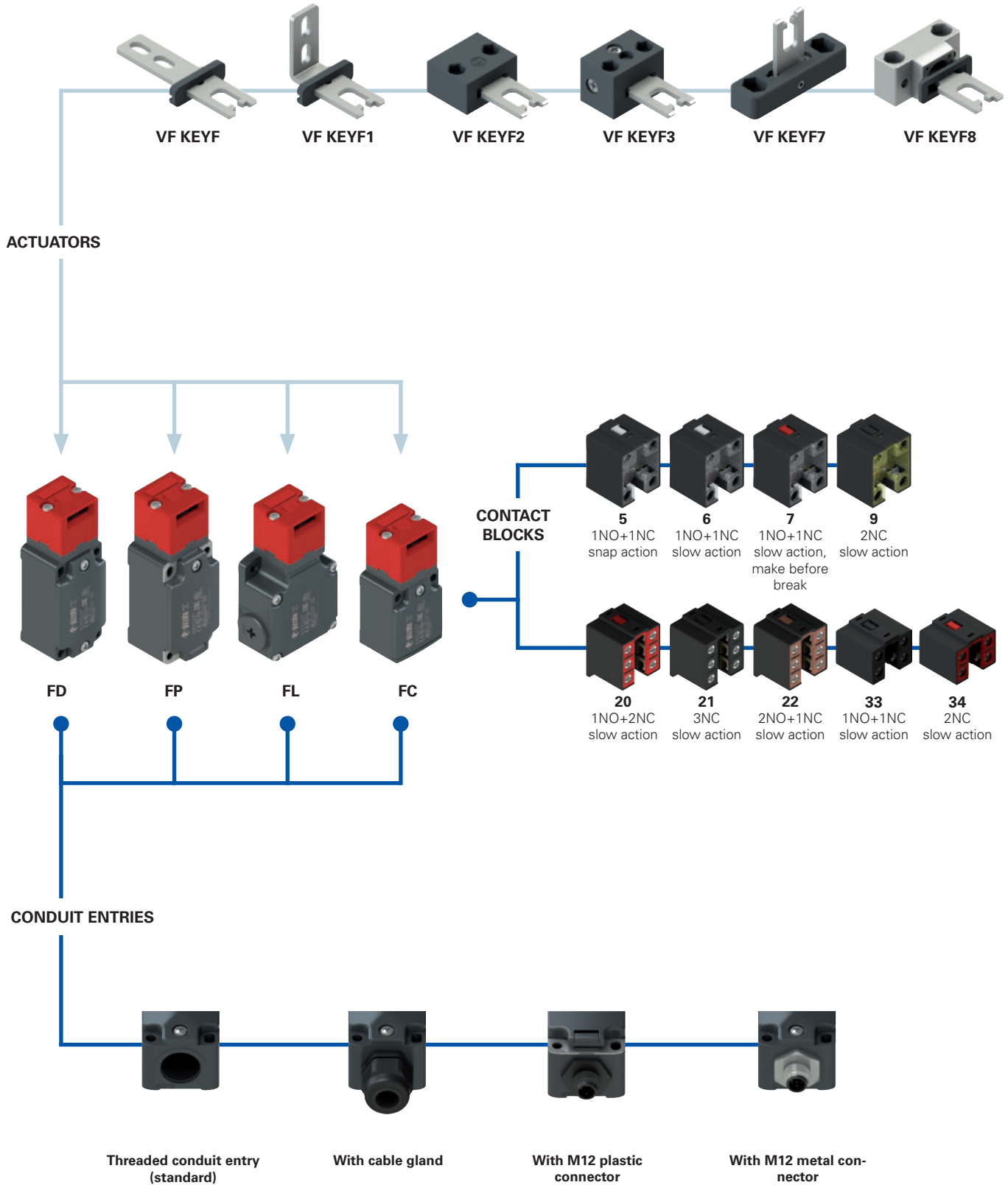


Selection diagram



—●— product option
 —→— sold separately as accessory



Code structure **Attention!** The feasibility of a code number does not mean the effective availability of a product. Please contact our sales office.

article options options
FD 693-F1GM2K50T6

Housing	
FD	metal, one conduit entry
FL	metal, three conduit entries
FP	technopolymer, one conduit entry

Contact blocks	
5	1NO+1NC, snap action
6	1NO+1NC, slow action
7	1NO+1NC, slow action, make before break
9	2NC, slow action
20	1NO+2NC, slow action
21	3NC, slow action
22	2NO+1NC, slow action
33	1NO+1NC, slow action
34	2NC, slow action

Actuators	
	without actuator (standard)
F	straight actuator VF KEYF
F1	angled actuator VF KEYF1
F2	jointed actuator VF KEYF2
F3	jointed actuator adjustable in two directions VF KEYF3
F7	jointed actuator adjustable in one direction VF KEYF7
F8	universal actuator VF KEYF8

Ambient temperature	
	-25°C ... +80°C (standard)
T6	-40°C ... +80°C

Pre-installed cable glands or connectors	
	no cable gland or connector (standard)
K23	cable gland for cables Ø 6 ... 12 mm
...
K50	M12 metal connector, 5-pole
...

For the complete list of possible combinations please contact our technical department.

Threaded conduit entry	
M2	M20x1.5 (standard)
	PG13.5

Contact type	
	silver contacts (standard)
G	silver contacts with 1 µm gold coating
G1	silver contacts, 2.5 µm gold coating (not for contact blocks 20, 21, 22, 33, 34)

article options options
FC 3393-F1GM2K50T6

Housing	
FC	metal, one conduit entry

Contact blocks	
33	1NO+1NC, slow action
34	2NC, slow action

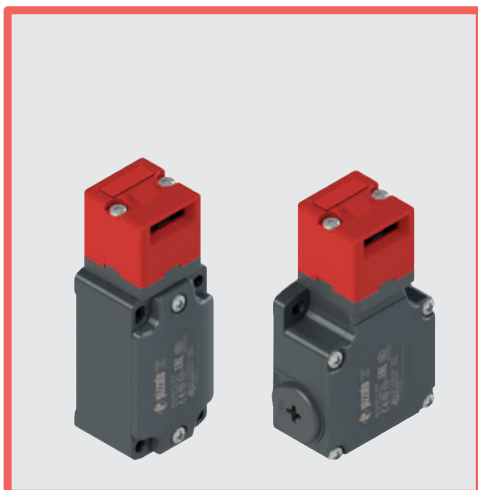
Actuators	
	without actuator (standard)
F	straight actuator VF KEYF
F1	angled actuator VF KEYF1
F2	jointed actuator VF KEYF2
F3	jointed actuator adjustable in two directions VF KEYF3
F7	jointed actuator adjustable in one direction VF KEYF7
F8	universal actuator VF KEYF8

Ambient temperature	
	-25°C ... +80°C (standard)
T6	-40°C ... +80°C

Pre-installed cable glands or connectors	
	no cable gland (standard)
K23	cable gland for cables Ø 6 ... 12 mm
K50	M12 metal connector, 5-pole

Threaded conduit entry	
M2	M20x1.5 (standard)
	PG11

Contact type	
	silver contacts (standard)
G	silver contacts with 1 µm gold coating



Main features

- Metal housing or technopolymer housing, from one to three conduit entries
- Protection degree IP67
- 9 contact blocks available
- 6 stainless steel actuators available
- Versions with M12 connector
- Versions with gold-plated silver contacts

Quality marks:



IMQ approval:	EG605
UL approval:	E131787
CCC approval:	2007010305230000
EAC approval:	RU C-IT.YT03.B.00035/19

Technical data

Housing

FP series housing made of glass fibre reinforced technopolymer, self-extinguishing, shock-proof and with double insulation:

FD, FL and FC series: metal housing, baked powder coating.

Metal head, baked powder coating.

FD, FP, FC series: one threaded conduit entry: M20x1.5 (standard)

FL series: three threaded conduit entries: M20x1.5 (standard)

Protection degree: IP67 acc. to EN 60529 with cable gland of equal or higher protection degree

General data

SIL (SIL CL) up to:	SIL 3 acc. to EN 62061
Performance Level (PL) up to:	PL e acc. to EN ISO 13849-1
Mechanical interlock, coded:	type 2 acc. to EN ISO 14119
Coding level:	low acc. to EN ISO 14119
Safety parameter B_{10D} :	2,000,000 for NC contacts
Mission time:	20 years
Ambient temperature:	-25°C ... +80°C (standard) -40°C ... +80°C (T6 option)
Max. actuation frequency:	3600 operating cycles/hour
Mechanical endurance:	1 million operating cycles
Max. actuation speed:	0.5 m/s
Min. actuation speed:	1 mm/s
Tightening torques for installation:	see page 339
Wire cross-sections and wire stripping lengths:	see page 357

In compliance with standards:

IEC 60947-5-1, IEC 60947-1, IEC 60204-1, EN ISO 14119, EN ISO 12100, IEC 60529, EN 50581, BG-GS-ET-15, UL 508, CSA 22.2 No.14

Approvals:

EN 60947-5-1, UL 508, CSA 22.2 No.14, GB/T14048.5-2017.

Compliance with the requirements of:

Machinery Directive 2006/42/EC, EMC Directive 2014/30/EU, RoHS Directive 2011/65/EU.

Positive contact opening in conformity with standards:

IEC 60947-5-1, EN 60947-5-1.

⚠ If not expressly indicated in this chapter, for correct installation and utilization of all articles see the instructions given on pages 337 to 350.

	Electrical data	Utilization category
without connector	Thermal current (I_{th}):	10 A
	Rated insulation voltage (U):	500 Vac 600 Vdc 400 Vac 500 Vdc (contact blocks 20, 21, 22, 33, 34)
	Rated impulse withstand voltage (U_{imp}):	6 kV 4 kV (contact blocks 20, 21, 22, 33, 34)
with M12 connector, 4 or 5-pole	Thermal current (I_{th}):	4 A
	Rated insulation voltage (U):	250 Vac 300 Vdc
	Protection against short circuits:	type gG fuse 4 A 500 V
with M12 connector, 8-pole	Thermal current (I_{th}):	2 A
	Rated insulation voltage (U):	30 Vac 36 Vdc
	Protection against short circuits:	type gG fuse 2 A 500 V
	Pollution degree:	3
		Alternating current: AC15 (50÷60 Hz)
		U_e (V) 250 400 500
		I_e (A) 6 4 1
		Direct current: DC13
		U_e (V) 24 125 250
		I_e (A) 3 0.55 0.3
		Alternating current: AC15 (50÷60 Hz)
		U_e (V) 24 120 250
		I_e (A) 4 4 4
		Direct current: DC13
		U_e (V) 24 125 250
		I_e (A) 3 0.55 0.3
		Alternating current: AC15 (50÷60 Hz)
		U_e (V) 24
		I_e (A) 2
		Direct current: DC13
		U_e (V) 24
		I_e (A) 2



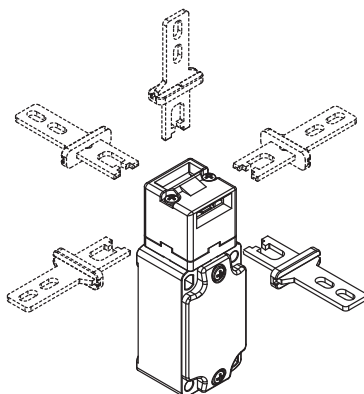
Description



These safety switches are ideal for controlling gates, sliding doors and other guards which protect dangerous parts of machines without inertia.

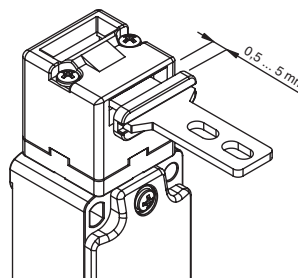
The stainless steel actuator is fastened to the moving part of the guard in such a way that it is separated from the switch each time the guard is opened. A special mechanism ensures that removing the actuator forces the positive opening of the electrical contacts. Easy to install, these switches can be used with all types of guards (with hinge as well as sliding and removable types). The possibility to actuate the switch only with a specific actuator guarantees that the machine can be restarted only after the guard has been closed. These switches are made of robust materials with larger dimensions and are designed especially for heavy gates and harsh environments.

Head with variable orientation



For all switches, the head can be adjusted in 90° steps after removing the two fastening screws. In this way it is possible to actuate the switch from 5 different directions.

Wide-ranging actuator travel



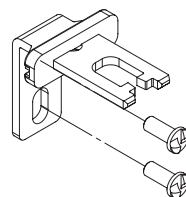
The actuation head of this switch features a wide range of travel. In this way the guard can oscillate along the direction of insertion (4.5 mm) without causing unwanted machine shutdowns. This wide range of travel is available in all actuators in order to ensure maximum device reliability.

Protection degree IP67

IP67

These devices are designed to be used in the toughest environmental conditions and they pass the IP67 immersion test acc. to EN 60529. They can therefore be used in all environments where maximum protection degree of the housing is required.

Safety screws for actuators



As required by EN ISO 14119, the actuator must be fixed immovably to the guard frame. Pan head safety screws with one-way fitting are available for this purpose. With this screw type, the actuators cannot be removed or tampered by using common tools. See accessories on page 332.

Extended temperature range

-40°C

These devices are also available in a special version suitable for an ambient operating temperature range from -40°C up to +80°C.

They can therefore be used for applications in cold stores, sterilisers and other equipment with low temperature environments. The special materials used to produce these versions retain their characteristics even under these conditions, thereby expanding the installation possibilities.

Laser engraving



All devices are marked using a dedicated indelible laser system. These engravings are therefore suitable for extreme environments too. Thanks to this system that does not use labels, the loss of plate data is prevented and a greater resistance of the marking is achieved over time.

Features approved by IMQ

Rated insulation voltage (U_i):	500 Vac 400 Vac (for contact blocks 20, 21, 22, 33, 34)
Conventional free air thermal current (I_{th}):	10 A
Protection against short circuits:	type aM fuse 10 A 500 V
Rated impulse withstand voltage (U_{imp}):	6 kV 4 kV (for contact blocks 20, 21, 22, 33, 34)
Protection degree of the housing:	IP67
MV terminals (screw terminals)	
Pollution degree:	3
Utilization category:	AC15
Operating voltage (U_o):	400 Vac (50 Hz)
Operating current (I_o):	3 A

Forms of the contact element: Zb, Y+Y, Y+Y+X, Y+Y+Y, Y+X+X

Positive opening contacts on contact blocks 5, 6, 7, 9, 20, 21, 22, 33, 34

In compliance with standards: EN 60947-1, EN 60947-5-1, fundamental requirements of the Low Voltage Directive 2014/35/EU.

Features approved by UL

Electrical Ratings:	Q300 pilot duty (69 VA, 125-250 V dc) A600 pilot duty (720 VA, 120-600 V ac)
---------------------	---

Environmental Ratings: Types 1, 4X, 12, 13

Use 60 or 75 °C copper (Cu) conductor and wire size range 12, 14 AWG, stranded or solid. The terminal tightening torque of 7.1 lb in (0.8 Nm).

For FP series: the hub is to be connected to the conduit before the hub is connected to the enclosure.

Please contact our technical department for the list of approved products.

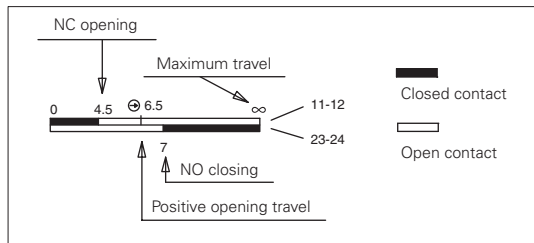
Please contact our technical department for the list of approved products.

Contact type:

- R** = snap action
- L** = slow action
- LO** = slow action, make before break

	Technopolymer housing Without actuator	Metal housing Without actuator	Metal housing Without actuator	Metal housing Without actuator
5	R FP 593-M2 (→) 1NO+1NC 	FD 593-M2 (→) 1NO+1NC 	FL 593-M2 (→) 1NO+1NC 	/
6	L FP 693-M2 (→) 1NO+1NC 	FD 693-M2 (→) 1NO+1NC 	FL 693-M2 (→) 1NO+1NC 	/
7	LO FP 793-M2 (→) 1NO+1NC 	FD 793-M2 (→) 1NO+1NC 	FL 793-M2 (→) 1NO+1NC 	/
9	L FP 993-M2 (→) 2NC 	FD 993-M2 (→) 2NC 	FL 993-M2 (→) 2NC 	/
20	L FP 2093-M2 (→) 1NO+2NC 	FD 2093-M2 (→) 1NO+2NC 	FL 2093-M2 (→) 1NO+2NC 	/
21	L FP 2193-M2 (→) 3NC 	FD 2193-M2 (→) 3NC 	FL 2193-M2 (→) 3NC 	/
22	L FP 2293-M2 (→) 2NO+1NC 	FD 2293-M2 (→) 2NO+1NC 	FL 2293-M2 (→) 2NO+1NC 	/
33	L FP 3393-M2 (→) 1NO+1NC 	FD 3393-M2 (→) 1NO+1NC 	FL 3393-M2 (→) 1NO+1NC 	FC 3393-M2 (→) 1NO+1NC
34	L FP 3493-M2 (→) 2NC 	FD 3493-M2 (→) 2NC 	FL 3493-M2 (→) 2NC 	FC 3493-M2 (→) 2NC
Actuating force	10 N (18 N (→))	10 N (18 N (→))	10 N (18 N (→))	10 N (18 N (→))

How to read travel diagrams



IMPORTANT:

The state of the NC contact refers to the switch with inserted actuator. In **safety applications**, actuate the switch **at least up to the positive opening travel** shown in the travel diagrams with symbol ⊕. Actuate the switch **at least with the positive opening force**, reported in brackets below each article, next to the actuating force value.

Limits of use

- Do not use where dust and dirt may penetrate in any way into the head and deposit there. In particular where metal dust, concrete or chemicals are spread.
- Adhere to the EN ISO 14119 requirements regarding low level of coding for interlocks.
- Do not use in environments with presence of explosive or flammable gases or dusts. In these cases use ATEX products (see dedicated Pizzato catalogue).



Stainless steel actuators

IMPORTANT: These actuators can be used only with items of the FD, FP, FL, FC and FS series (e.g. FD 693-M2).
Low level of coding acc. to EN ISO 14119.

Article	Description
VF KEYF	Straight actuator

Article	Description
VF KEYF1	Angled actuator

Article	Description
VF KEYF2	Jointed actuator

Article	Description
VF KEYF3	Actuator adjustable in two directions

The actuator can flex in four directions for applications where the guard alignment is not precise.

Actuator adjustable in two directions for guards with reduced dimensions.

Article	Description
VF KEYF7	Actuator adjustable in one direction

Actuator adjustable in one direction for guards with reduced dimensions.

Article	Description
VF KEYF8	Universal actuator

Jointed actuator for guards with poor alignment, adjustable in two dimensions for small doors; can be mounted in various positions. The metal fixing body has two pairs of bore holes; it is provided for rotating the working plane of the actuator by 90°.

Accessories

Article	Description
VF KB1	Lock out device

Padlockable lock out device to prevent the actuator entry and the accidental closing of the door behind operators while they are in the danger area.

All values in the drawings are in mm

Accessories See page 321

→ The 2D and 3D files are available at www.pizzato.com