

EvoSIGNAL Mini - Combinations



Installation mounting M 22



Tube mounting



Installation mounting PG 29

① TECHNICAL SPECIFICATIONS/ORDER SPECIFICATIONS:

Dimensions (Ø x Height):	62 x 85 mm		
Housing:	PC/ABS		
Lens:	PC, transparent		
Connection:	Push-In terminal max. 1.5 mm ²		
Cable entry:	Cable diameter 8-12 mm		
Tone type:	Continuous or Pulse tone		
Fixing:	Base/Tube/Wall/ Installation mounting		
Flashing/Blinking frequency:	1 Hz		

TwinLIGHT

Voltage:	12 V AC/DC	24 V AC/DC	115-230 V AC
Current consumption:	≤ 120 mA	≤ 115 mA	≤ 75 mA
red	460 110 74	460 110 75	460 110 60
green	460 210 74	460 210 75	460 210 60
yellow	460 310 74	460 310 75	460 310 60
white	460 410 74	460 410 75	460 410 60
blue	460 510 74	460 510 75	460 510 60

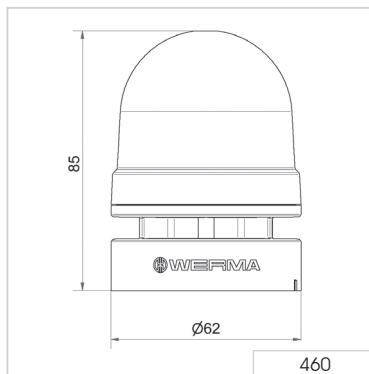
TwinFLASH

Voltage:	12 V AC/DC	24 V AC/DC	115-230 V AC
Current consumption:	≤ 100 mA	≤ 115 mA	≤ 75 mA
red	460 120 74	460 120 75	460 120 60
green	460 220 74	460 220 75	460 220 60
yellow	460 320 74	460 320 75	460 320 60
white	460 420 74	460 420 75	460 420 60
blue	460 520 74	460 520 75	460 520 60

✂ ACCESSORIES:

Base mounting	260 700 01
Installation mounting M22	260 700 03
Installation mounting PG 29	260 700 04
Tube mounting	260 700 05
Bracket mounting with cable gland	260 700 06
Bracket mounting	260 700 07

↔ TECHNICAL DIAGRAM:



Signalisation index

TwinLIGHT	4
TwinFLASH	5
Continuous	5
Pulse	6

