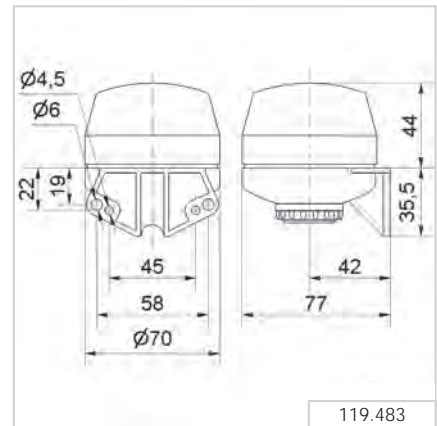
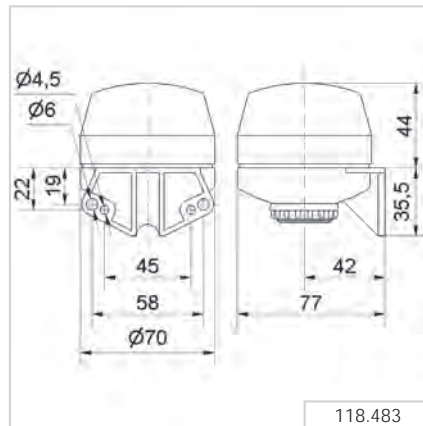




i TECHNICAL SPECIFICATIONS/ORDER SPECIFICATIONS:

Dimensions (L x H x W):	70 mm x 79,5 mm x 77 mm	
Housing:	PC/ABS-Blend	
Connection:	Spades 6.3 x 0.8 mm, Finger proof model according to BGV A2, when used with insulated spades	
Cable entry:	Cable diameter max. 9 mm	
Tone frequency:	C. 2.400 Hz	
Tone type:	Type 118 483 Continuous tone Type 119 483 Continuous tone and pulse tone, c. 1 Hz selectable via plug-in terminal	
Fixing:	Wall mounting, Sound outlet facing downwards	
Voltage:	24 V AC/DC (12-30 V)	230 V AC (110-240V)
Current consumption:	20 mA	20 mA
Continuous tone	118 483 15	118 483 28
Continuous/pulse tone	119 483 15	119 483 28

1 2 3 TECHNICAL DIAGRAMS:



Signalisation index	
Continuous tone	4
Pulse tone	4

