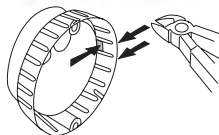




Base mounting



The adaptor (accessory) allows quick and simple mounting on a tube



A piece of the rim can be broken out to allow for cable entry from the side

i TECHNICAL SPECIFICATIONS/ORDER SPECIFICATIONS:

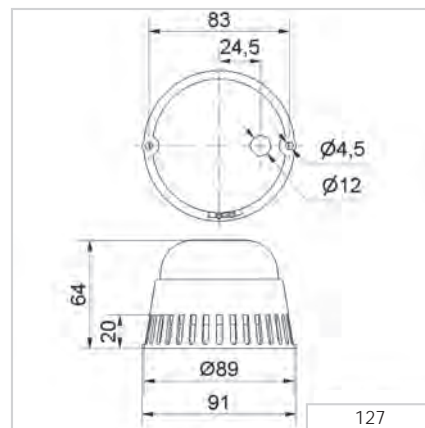
Dimensions (Ø x Height):	89 mm x 64 mm		
Housing:	PC, black		
Fixing:	Base mounting, tube mounting (accessory)		
Installation position:	Sound outlet facing downwards		
Connection:	Screw terminal with wire protection max. 1.5 mm ²		
Cable entry:	Cable diameter max. 9 mm		
Tone type:	Continuous or pulse tone, selectable		
Tone frequency:	2,3 kHz		
Life duration:	> 5,000 hrs		
Duty cycle:	100 %		

Voltage:	24 V AC/DC	115 V AC	230 V AC
Current consumption:	≤ 15 mA	≤ 15 mA	≤ 15 mA
Order No.:	127 000 75	127 000 67	127 000 68

ACCESSORIES:

Adaptor for tube mounting, plastic, for tube Ø 25 mm	975 420 01
Base for tube Ø 25 mm, plastic, incl. rubber seal	975 840 90
Base for tube Ø 25 mm, metal, incl. rubber seal	975 840 91
Tube Ø 25 mm, all anodized aluminium	
100 mm	975 845 10
250 mm	975 840 25

TECHNICAL DIAGRAM:



Signalisation index	
Continuous tone	4
Pulse tone	4

24 V

