

212/215 Xenon Flashing Beacon - Base/Bracket mounting



Flashing Beacon 212
(Base mounting)



Flashing Beacon 215 with
integrated mounting bracket

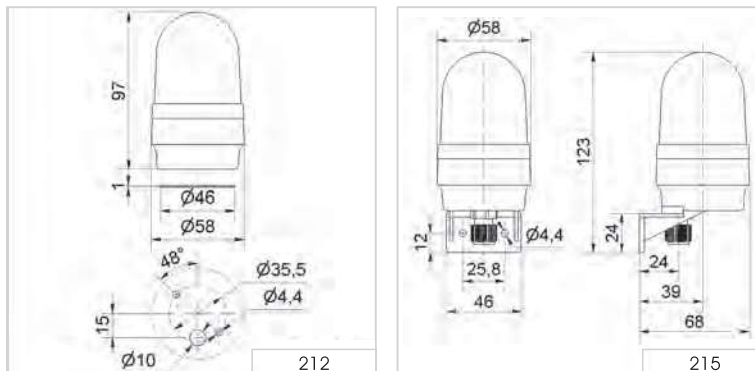
TECHNICAL SPECIFICATIONS/ORDER SPECIFICATIONS:

	Base mounting 212	Bracket mounting 215
Dimensions (Ø x Height):	58 mm x 97 mm	58 mm x 123 mm
Housing:		PA-GF, high impact
Lens:		PC, transparent; Ring: PC
Connection:		CAGE CLAMP® technology max. 1.5 mm ²
Cable entry:	Cable diameter max. 10 mm	Cable diameter 3-6 mm
Fixing:	Base mounting with flat seal	Bracket mounting incl. cable gland M12 x 1.5 mm
Flash frequency:	C. 0.75 Hz	
Flash energy:	1 Ws	
Life duration:	4 x 10 ⁶ flashes	

Base mounting 212			
Voltage:	24 V AC/DC	115 V AC	230 V AC
Current consumption:	100 mA	20 mA	30 mA
red	212 100 55	212 100 67	212 100 68
yellow	212 300 55	212 300 67	212 300 68

Bracket mounting 215			
Voltage:	24 V AC/DC	115 V AC	230 V AC
Current consumption:	100 mA	20 mA	30 mA
red	215 100 55	215 100 67	215 100 68
yellow	215 300 55	215 300 67	215 300 68

TECHNICAL DIAGRAMS:



Signalisation index	
Xenon Flashing Light	4

Base mounting Bracket mounting

