



i TECHNICAL SPECIFICATIONS/ORDER SPECIFICATIONS:

Dimensions (L x H x W): 70 mm x 79,5 mm x 77 mm
Housing: PC/ABS-Blend
Connection: Screw terminal with wire protection, 1,0-1.5 mm² fine strand, 1,0-2.5 mm² single wire
Cable entry: Cable diameter 9 mm
Fixing: Wall mounting, Sound outlet facing downwards

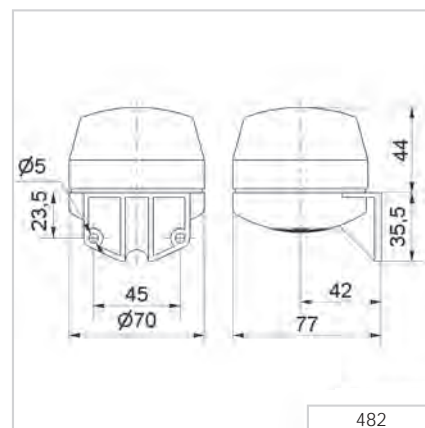
AC Version			
Voltage:	24 V AC	42 V AC	230 V AC
Current consumption:	190 mA	75 mA	15 mA
Order No.:	482 052 65	482 052 66	482 052 68

DC Version			
Voltage:	12 V DC	24 V DC	
Current consumption:	150 mA	70 mA	
Order No.:	482 052 54	482 052 55	

Lift Alarm (reduced inrush current)			
Voltage:	6 V DC	12 V DC	
Current consumption:	80 mA	130 mA	
Order No.:	482 347 13	482 347 14	

Further voltages on request.

TECHNICAL DIAGRAM:



Signalisation index	
Horn	4

