



i TECHNICAL SPECIFICATIONS/ORDER SPECIFICATIONS:

Dimensions (L x H x W):	148 mm x 350 mm x 152 mm		
Housing:	PC/ABS-Blend		
Connection:	Screw terminal 0.5 - 2.5 mm ²		
Cable entry:	Rubber squeeze grommet Ø 7-10 mm		
Fixing:	Wall mounting, Sound outlet facing downwards		

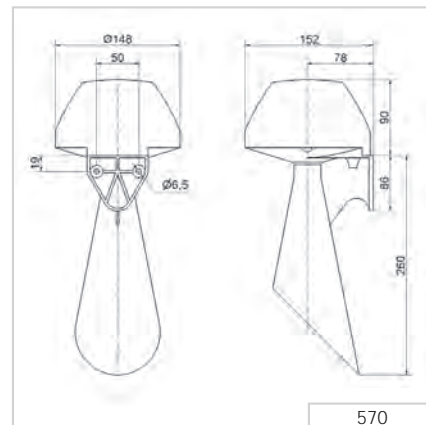
Continuous tone (AC)				
Voltage:	24 V AC (50 Hz)	42-48 V AC (50/60 Hz)	115 V AC (50/60 Hz)	230 V AC (50 Hz)
Current consumpt.:	500 mA	250 mA	200 mA	70 mA
Order No.:	570 052 65	570 052 66	570 052 67	570 052 68

Pulse tone (AC)				
Voltage:				230 V AC (50 Hz)
Current consumpt.:				≤ 70 mA
Order No.:				570 100 68

Continuous tone (DC)				
Voltage:	24 V DC		115 V DC	230 V DC
Current consumpt.:	350 mA		150 mA	100 mA
Order No.:	570 052 55		570 052 57	570 052 58

Further voltages on request.

TECHNICAL DIAGRAM:



Signalisation index	
Horn	6

