



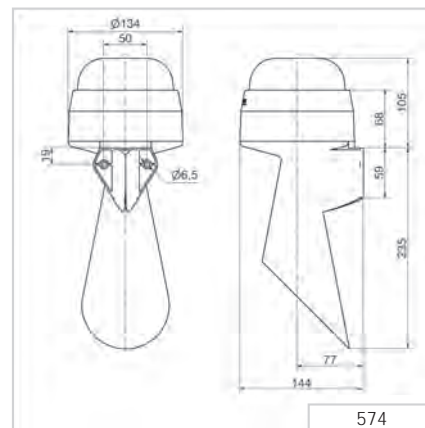
**i TECHNICAL SPECIFICATIONS/ORDER SPECIFICATIONS:**

<b>Dimensions (Ø x Height):</b>	134 mm x 340 mm		
<b>Housing:</b>	PC/ABS-Blend, grey		
<b>Fixing:</b>	Wall mounting, integrated mounting bracket		
<b>Installation position:</b>	Sound outlet facing downwards		
<b>Connection:</b>	Screw terminal 0.5 - 1.5 mm <sup>2</sup>		
<b>Cable entry:</b>	Cable diameter max. 11 mm		
<b>Tone frequency:</b>	C. 110 Hz		
<b>Life duration:</b>	Up to 5,000 hrs		

<b>Voltage:</b>	24 V AC/DC	10-48 V AC/DC*	115-230 V AC
<b>Current consumption:</b>	55 mA	210 mA	30 mA
<b>Order No.:</b>	<b>574 000 75</b>	<b>574 000 70</b>	<b>574 000 60</b>

\* Current consumption at 10 V / 115 V

**1 2 3 TECHNICAL DIAGRAM:**



Horns & Sirens



Signalisation index	
Horn	7