



i TECHNICAL SPECIFICATIONS/ORDER SPECIFICATIONS:

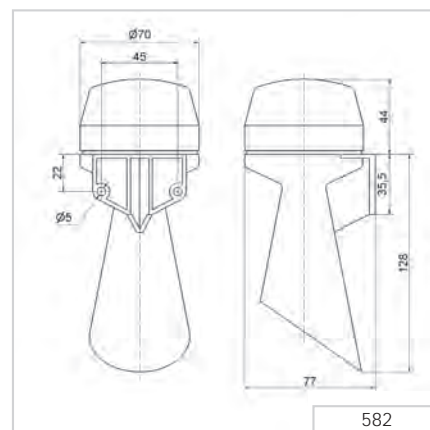
Dimensions (L x H x W):	70 mm x 172 mm x 77 mm				
Housing:	PC/ABS-Blend				
Connection:	Screw terminal with wire protection, 1,0-1.5 mm ² fine strand, 1,0-2.5 mm ² single wire				
Cable entry:	Cable diameter 9 mm				
Fixing:	Wall mounting, Sound outlet facing downwards				

AC Version					
Voltage:	12 V AC	24 V AC	42 V AC	115 V AC	230 V AC
Current consumption:	330 mA	190 mA	75 mA	15 mA	15 mA
Order No.:	582 052 64	582 052 65	582 052 66	582 052 67	582 052 68

DC Version					
Voltage:	12 V DC	24 V DC			
Current consumption:	150 mA	70 mA			
Order No.:	582 052 54	582 052 55			

Further voltages on request.

TECHNICAL DIAGRAM:



Signalisation index

Horn	4
------	---

