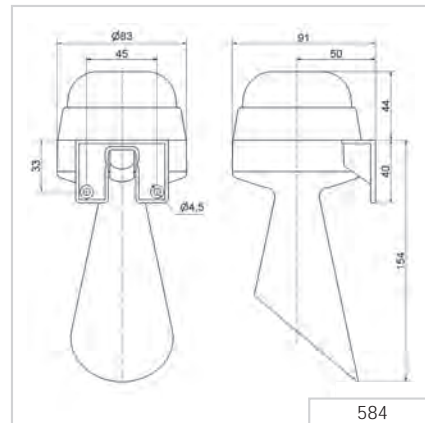




**i TECHNICAL SPECIFICATIONS/ORDER SPECIFICATIONS:**

<b>Dimensions (L x H x W):</b>	83 mm x 198 mm x 91,5 mm		
<b>Housing:</b>	PC, PC/ABS-Blend, grey		
<b>Fixing:</b>	Wall mounting		
<b>Installation position:</b>	Sound outlet facing downwards		
<b>Connection:</b>	Screw terminal 0.5 - 1.5 mm <sup>2</sup>		
<b>Cable entry:</b>	Cable diameter max. 9 mm		
<b>Tone frequency:</b>	C. 110 Hz		
<b>Life duration:</b>	> 5,000 hrs		
<b>Duty cycle:</b>	100 %		
<b>Voltage:</b>	24 V AC/DC	115 V AC	230 V AC
<b>Current consumption:</b>	≤ 80 mA	≤ 70 mA	≤ 70 mA
<b>Order No.:</b>	<b>584 000 75</b>	<b>584 000 67</b>	<b>584 000 68</b>

**TECHNICAL DIAGRAM:**



Signalisation index	
Horn	5

24 V

ERC	140 g	IP 65	+50°C -20°C	98 dB	PLC
-----	-------	-------	----------------	-------	-----

