



Base/Bracket Mounting



Tube mounting



Accessories

i TECHNICAL SPECIFICATIONS/ORDER SPECIFICATIONS:

	Base/Bracket mounting	Tube mounting	
Dimensions (Ø x Height):	98 mm x 137 mm	98 mm x 200 mm	
Housing:		PC/ABS-Blend	
Lens:		PC, transparent	
Connection:		Screw terminal 0.5 - 1.5 mm ²	
Cable entry:		Cable diameter 5-7 mm	
Bulb:		Max. 25 W	
Blinking frequency:		1.5 Hz	
Starting current:	24 V AC/DC 3 A	115 V AC 0,6 A	230 V AC 0,35 A
Socket:		BA15d	

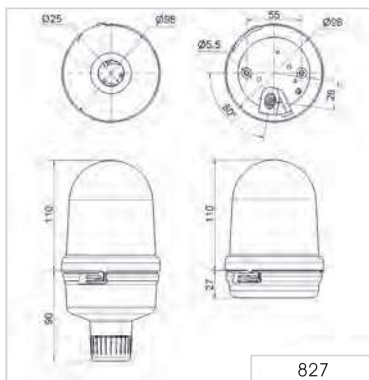
Bulb included in assembly.

Base/Bracket mounting			
Voltage:	24 V AC/DC	115 V AC/DC	230 V AC/DC
red	827 100 75	827 100 77	827 100 78
yellow	827 300 75	827 300 77	827 300 78
Tube mounting			
Voltage:	24 V AC/DC	115 V AC/DC	230 V AC/DC
red	827 110 75	827 110 77	827 110 78
yellow	827 310 75	827 310 77	827 310 78

ACCESSORIES:

Plastic bracket for wall mounting	975 826 05		
Wire guard, galvanised, only for base mounting	975 826 03		
Tube Ø 25 mm, all anodized aluminium, 100 mm long	975 845 10		
Base for tube, plastic, Ø 25 mm	975 840 90		
Base for tube, metal, Ø 25 mm	975 840 91		
Bulb BA15d, 25 W, total length max. 55 mm			
Voltage:	24 V AC/DC 955 827 35	115 V AC/DC 955 827 37	230 V AC/DC 955 827 38

TECHNICAL DIAGRAM:



Signalisation index

Blinking Light 5

