

DIMENSIONI

FMC-B4EW COLUMN FOR EOS WT LIGHT CURTAINS

GENERAL

These mounting instructions contain information about:

- The correct mounting of the light curtains **EOS WT** inside the **FMC** or **FMC-BR** columns.
- The assembly of the **FMC-B4EW** stand for mounting on the **FMC-CB/FMC-CBL** stand bottom.
- The correct mounting of emitters and receives (with our without mirror).
- Please find detailed information about the function of the light curtains / light grids in the relevant mounting and wiring instructions.

MOUNTING ON THE FMC-CB/FMC-CBL STAND BOTTOM (Fig. 1)

- Mount the **FMC-CB/FMC-CBL** stand bottom on the floor (see mounting instruction for stand bottom).

Please note: For a correct alignment, please verify that the stand bottom upper surface is even and horizontal (using a circular spirit level). To operate the regulation, act on the three hexagonal nuts B (fig.4) until the perfect levelness is reached. (Maximum adjustment: 10mm). If the ground roughness is over 10mm, flush it adequately.

- Loosen the three allen screws and remove the washers.
- Assembly the column to the stand bottom, centering the FMC-B4EW column rotation flange with the guides of the **FMC-CB/FMC-CBL** stand bottom upper plate.
- Fix the column tightening the three allen screws and the washers.

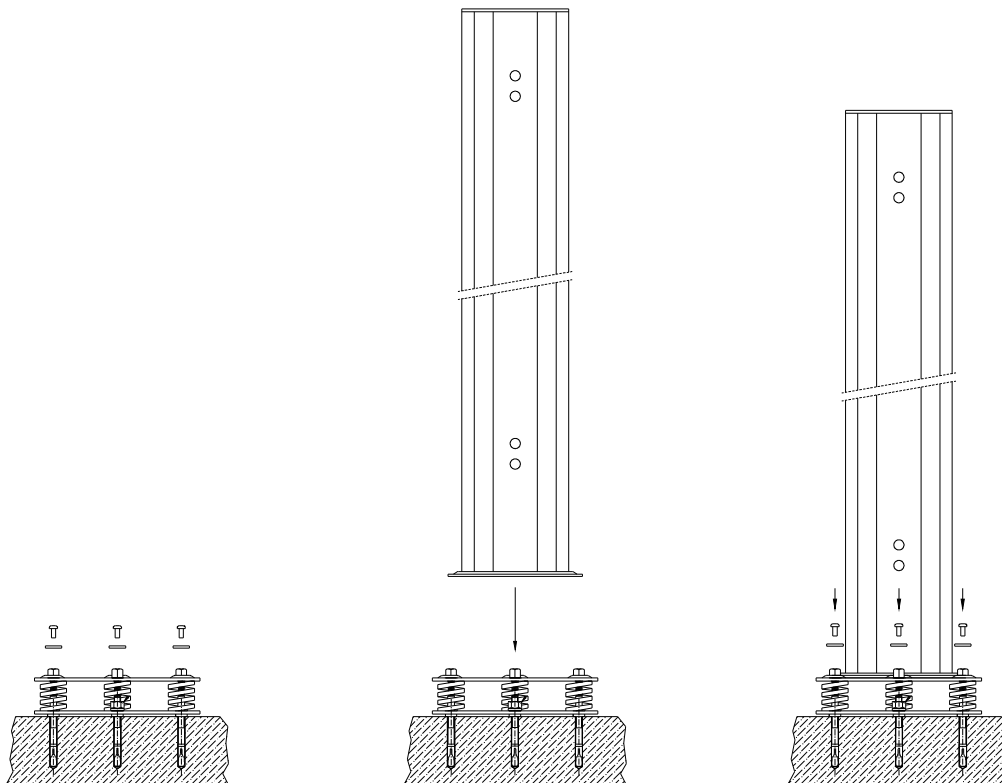


Figure 1

MOUNTING OF EOS WT LIGHT CURTAINS

- Remove the cover (with spirit level) from the top of the column;
- Insert the WT barrier frontally into the column;
- Insert the allen screws (C) with the washers (B) in the holes of the column;
- Insert the allen screws into brackets of the column;
- Lock the allen screws with the nuts (C) and the washers (B) to fix the barrier;
- Fix the cover on the top of the column.

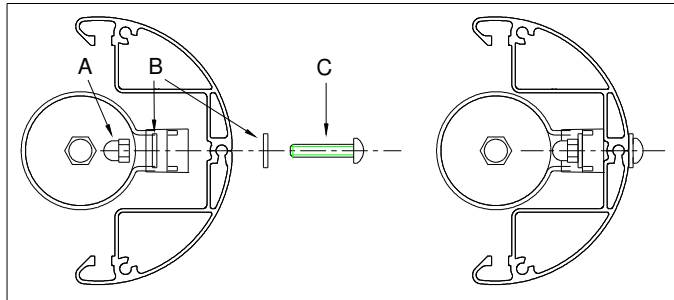


Figure 2

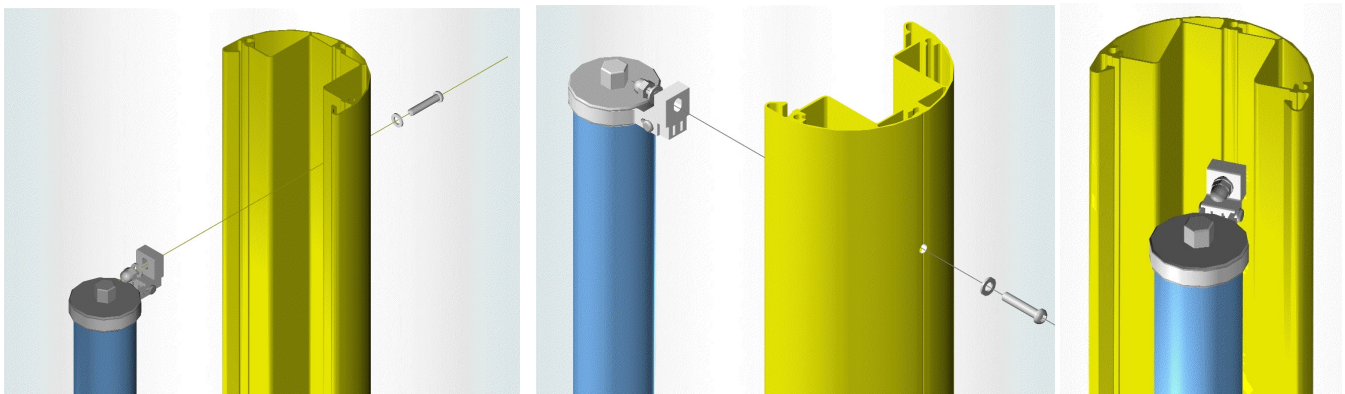


Figure 3

- You will find the exact position of the barrier in the alongside figure (distance between the first light beam and the ground) (according to EN999).

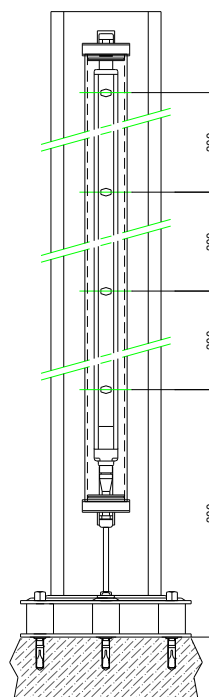


Figure 4

ALIGNMENT OF EMITTER AND RECEIVER

- The last operation you have to perform is the emitter/receiver alignment.
- Ensure that the stands of emitter and receiver are in a vertical position (placing a spirit level (A) on the top end of each stand). Perform leveling fine adjustments by means of the hexagonal nuts of the stand bottom (B).
- Connect the light curtain / the light grid. (ref. Curtain technical manual).
- For an exact alignment of emitter and receiver, loosen the three allen screws (C) that fix the rotation flange and rotate the two columns until the barrier signal LEDs light on (ref. Technical manual).

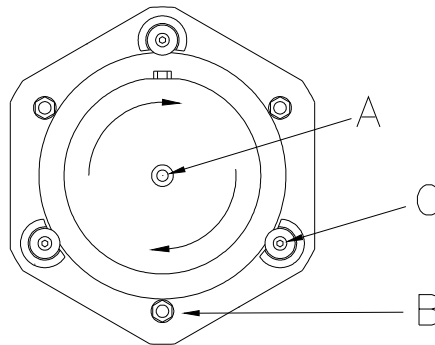


Figure 5