

# 441 Xenon Flash / Multi-Tone Sounder Combination (110 dB)



## **i** TECHNICAL SPECIFICATIONS/ORDER SPECIFICATIONS:

<b>Dimensions (L x H x W):</b>	165 mm x 169 mm x 132 mm	
<b>Housing:</b>	PC/ABS-Blend	
<b>Connection:</b>	Screw terminal 0.28-2.5 mm <sup>2</sup>	
<b>Cable entry:</b>	Cable gland M20 x 1.5 mm (not included in assembly)	
<b>Flash frequency:</b>	1 Hz	
<b>Flash energy</b>	2.5 Ws	
<b>Tone type and frequency:</b>	Selectable via DIP switch, 2 tones can be externally triggered	
<b>Voltage:</b>	9-60 V DC	230 V AC
<b>Current consumption:</b>	230 mA	35 mA
<b>Housing/Flash</b>		
red / red	<b>441 010 55</b>	<b>441 010 68</b>
red / yellow	<b>441 030 55</b>	<b>441 030 68</b>
grey / red	<b>441 110 55</b>	<b>441 110 68</b>
grey / yellow	<b>441 130 55</b>	<b>441 130 68</b>

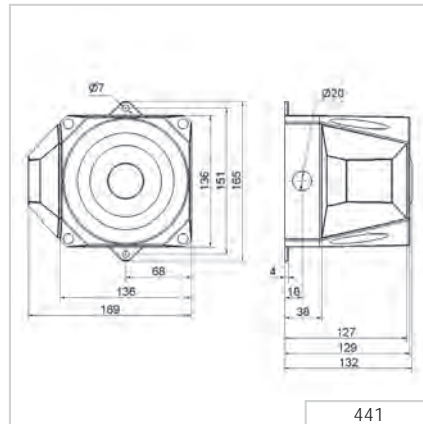
## **🏠** ACCESSORIES:

Cable gland M20 x 1.5 mm	<b>975 444 01</b>
--------------------------	-------------------

## **🎵** TONE TYPES AND FREQUENCIES:

For further details see [www.werma.com](http://www.werma.com).

## **📏** TECHNICAL DIAGRAM:



Optical-audible combinations



Siganlisation index	
Multi-Tone Sounder	8
Xenon Flash	5