



**i TECHNICAL SPECIFICATIONS/ORDER SPECIFICATIONS:**

<b>Dimensions (L x H x W):</b>	136 mm x 108 mm x 119 mm	
<b>Housing:</b>	ABS	
<b>Connection:</b>	Screw terminal 0.5 - 2.5 mm <sup>2</sup>	
<b>Cable entry:</b>	Cable gland M20 x 1.5 mm (not included in assembly)	
<b>Tone types and frequencies:</b>	Selectable via DIP switch	
<b>Voltage:</b>	9-60 V DC	115/230 V AC
<b>Current consumption:</b>	13 mA (24V)	20 mA (230 V)
red	<b>139 000 55</b>	<b>139 000 68</b>
grey	<b>139 100 55</b>	<b>139 100 68</b>

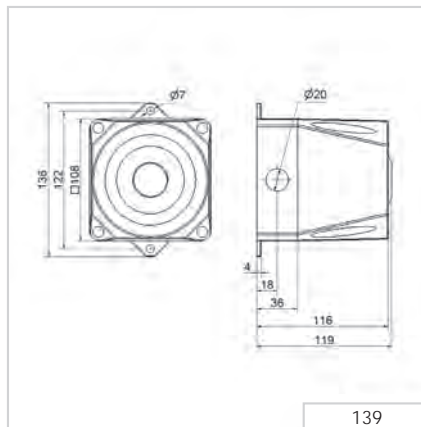
**ACCESSORIES:**

Cable gland M20 x 1.5 mm	<b>975 444 01</b>
--------------------------	-------------------

**🎵 TONE TYPES AND FREQUENCIES:**

For further details see [www.werma.com](http://www.werma.com).

**📏 TECHNICAL DIAGRAM:**



Signalisation index	
Multi-tone sounder	6

