



Multi-functional LED beacon:
3 light effects can be externally triggered



The adaptor enables mounting on a tube (431)

i TECHNICAL SPECIFICATIONS/ORDER SPECIFICATIONS:

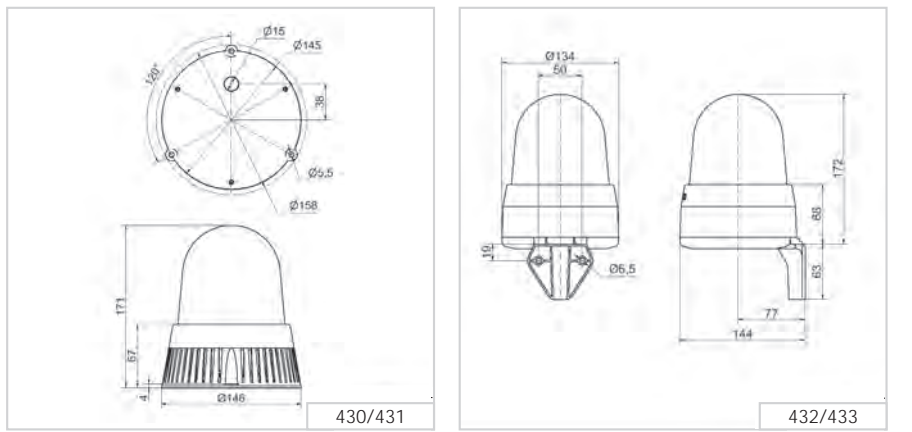
	Base mounting (431)	Wall mounting (433)
Dimensions (Ø x Height):	146 mm x 171 mm	134 mm x 235 mm
Housing:	PCABS-Blend, black	PC/ABS-Blend, grey
Lens:	PC, transparent	
Connection:	Screw terminal 0.5-1.5 mm ²	
Cable entry:	Cable diameter max. 11 mm	
Tone type and frequency:	32 tones adjustable, see table on page 273	
Installation position:	Sound outlet facing downwards	
Life duration:	Up to 50,000 h (LED), up to 5,000 h (Multi-tone Sounder)	
Fixing:	Base mounting (431), Wall mounting (433) Tube mounting (accessory, only for 431)	
Voltage:	24 V AC/DC	115-230 V AC*
Current consumption MTS:	190 mA	55 mA
Current consumption LED:	350 mA 230 mA (red)	100 mA 80 mA (red)
Base mounting		
red	431 100 75	431 100 60
yellow	431 300 75	431 300 60
Wall mounting		
red	433 100 75	433 100 60
yellow	433 300 75	433 300 60

*Current consumption at 115 V

ACCESSORIES:

Adaptor for tube mounting, plastic, for tube Ø 25 mm	975 430 01
--	-------------------

TECHNICAL DIAGRAMS:



Siganlisation index	
Multi-Tone Sounder	7
LED Permanent Light	5
LED Flashing Light	7
LED EVS Light	9



Optical-audible combinations

