



Base mounting



Wall mounting



**TECHNICAL SPECIFICATIONS/ORDER SPECIFICATIONS:**

<b>Dimensions (L x H x W):</b>	109 mm x 112.5 mm x 152 mm		
<b>Housing:</b>	PC/ABS-Blend		
<b>Lens:</b>	PC, transparent		
<b>Connection:</b>	24 V: Screw terminal 0.5-1.5 mm <sup>2</sup> 115/230 V: CAGE CLAMP®		
<b>Cable entry:</b>	Membrane for cable diameter max. 13 mm		
<b>Life duration:</b>	Up to 50,000 hrs (LED Double Flash)		
<b>Flash frequency:</b>	C. 1 Hz		
<b>Fixing:</b>	Wall, base and ceiling mounting		
<b>Voltage:</b>	24 V AC/DC	115 V AC	230 V AC
<b>Current consumption Optical:</b>	60 mA	30 mA	30 mA
<b>Current consumption Audible:</b>	200 mA	55 mA	30 mA
red	<b>444 100 75</b>	<b>444 100 67</b>	<b>444 100 68</b>
yellow	<b>444 300 75</b>	<b>444 300 67</b>	<b>444 300 68</b>



**ACCESSORIES:**

Cable gland M20 x 1.5 mm (for cable strain relief)	<b>975 444 01</b>
Protection rating IP 65 is guaranteed even without cable gland	

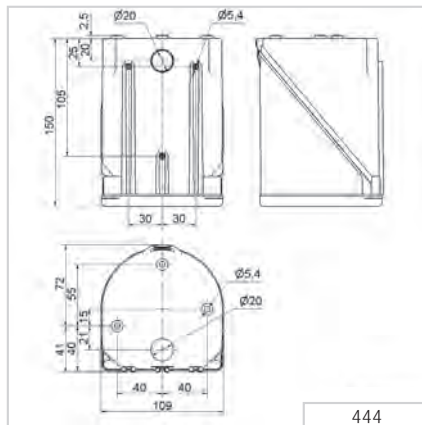


**TONE TYPES AND FREQUENCIES:**

Selectable via DIP switch, see tone table on page 279, 3 tones can be externally triggered



**TECHNICAL DIAGRAM:**



**Signalisation index**

Multi-Tone Sounder	<div style="width: 80%; background-color: green;"></div>	8
LED Flashing Light	<div style="width: 60%; background-color: yellow;"></div>	6



24 V 	115 V / 230 V 			(A) 		24 V 
----------	-------------------	--	--	---------	--	----------





Base mounting



The „EVS“ light effect ensures a maximum attention-grabbing effect

**i TECHNICAL SPECIFICATIONS/ORDER SPECIFICATIONS:**

<b>Dimensions (L x H x W):</b>	109 mm x 112.5 mm x 152 mm		
<b>Housing:</b>	PC/ABS-Blend		
<b>Lens:</b>	PC, transparent		
<b>Connection:</b>	24 V: Screw terminal 0.5-1.5 mm <sup>2</sup> 115/230 V: CAGE CLAMP®		
<b>Cable entry:</b>	Membrane for cable diameter max. 13 mm		
<b>Fixing:</b>	Wall, base and ceiling mounting		
<b>Life duration:</b>	Up to 50,000 hrs (LED EVS)		
<b>Voltage:</b>	24 V AC/DC	115 V AC	230 V AC
<b>Current consumption Optical:</b>	60 mA	30 mA	30 mA
<b>Current consumption Audible:</b>	220 mA	55 mA	30 mA
red	<b>444 110 75</b>	<b>444 110 67</b>	<b>444 110 68</b>
yellow	<b>444 310 75</b>	<b>444 310 67</b>	<b>444 310 68</b>

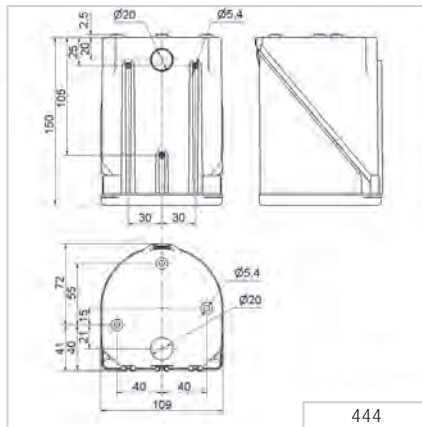
**ACCESSORIES:**

Cable gland M20 x 1.5 mm (for cable strain relief)	<b>975 444 01</b>
Protection rating IP 65 is guaranteed even without cable gland	

**♪ TONE TYPES AND FREQUENCIES:**

Selectable via DIP switch, see tone table on page 279, 3 tones can be externally triggered

**TECHNICAL DIAGRAM:**



Optical-audible combinations

Signalisation index	
Multi-Tone Sounder	8
LED EVS Light	8

24 V

115 V / 230 V

32

24 V

The 444 Combinations offer a large choice of internationally recognised signal tones for the widest spectrum of applications. 3 tones can be triggered externally.


**TONE TYPES AND FREQUENCIES:**

Tone 1	Tone type	Frequency (Hz)	Description	Use	Tone 2	Sound output (dbA)
1	continuous	200		BS 5839-1:2002	440 Hz cont.	97
2	rising	800 & 970	7 Hz		14	102
3	rising	800 & 970	1 Hz		14	103
4	continuous	2850			14	104
5	rising	2400 - 2850	7 Hz		4	109
6	rising	2400 - 2850	1 Hz		4	110
7	rising	500 - 1200	3 s, then 0.5 s OFF (then repeat)		14	106
8	falling	1200 - 500	1 Hz	DIN 33404-3	14	104
9	alternating	2400 & 2850	2 Hz		4	111
10	pulse	970	0.5 Hz (1 s On/1 s Off)	BS 5839 Part 1 1988	14	101
11	alternating	800 & 970	1 Hz	BS 5839 Part 1 1988	14	105
12	pulse	2850	0.5 Hz		4	104
13	pulse	970		0,25 s On/1 s Off	14	98
14	continuous	970		BS 5839-1:2002 PFEER - Toxic gas	10	102
15	alternating	554 & 440		France NFS	14	101
16	pulse	660	150 ms On/150 ms Off	Swedish	16	96
17	pulse	660	1.8 s On/1.8 s Off	Swedish	17	98
18	pulse	660	6.5 s On/13 s Off	Swedish	18	98
19	continuous	660		Swedish	19	98
20	alternating	554 & 440	0.5 Hz		20	102
21	pulse	660	1 Hz	Swedish	21	97
22	pulse	2850	150 ms On/100 ms Off	GB	14	104
23	rising	800 - 970	50 Hz (low)	BS 5839 Part 1 1988	14	102
24	rising	2400 - 2850	50 Hz (high)		4	109
25	pulse	970	3 x 500 ms ON/500 ms OFF / 1.5 s silence, then repeat (low)	ISO 8201 US Temporal	26	101
26	pulse	2850	3 x 500 ms ON/500 ms OFF / 1.5 s silence, then repeat (high)	ISO 8201 US Temporal	25	104
27	continuous	4000			27	92
28	rising	2000 - 2850	7 Hz		2000 Hz cont.	111
29	alternating	988 & 645	2 Hz		988 Hz cont.	102
30	alternating	510 & 610	2 Hz		510 Hz cont.	102
31	alternating	800 & 970	2 Hz	5839-1:2002	800 cont.	105
32	alternating	800 & 1200	1 Hz		800 cont.	105

