



PD1 series

M5 cylindrical miniaturized inductive sensors



M5 cylindrical miniaturized

features

- Cable and M8 plug versions
- Extremely reduced dimensions: M5 x 25 mm (cable) / 38 mm (plug) length
- Supply voltage 10...30 Vdc, output current 100 mA
- Led status indicator
- IP 67 housing protection
- Complete protection against electrical damages



web contents



- Application notes
- Photos
- Catalogue / Manuals




code description

PD1 / A P - 1 A

series	PD1	M5 inductive proximity switch
output state	A	NO output state
	C	NC output state
output logic	N	NPN logic output
	P	PNP logic output
distance	1	Standard shielded 0.8 mm
	3	Long distance shielded 1.5 mm
connect.	A	Cable exit output
	F	M8 plug cable exit

available models

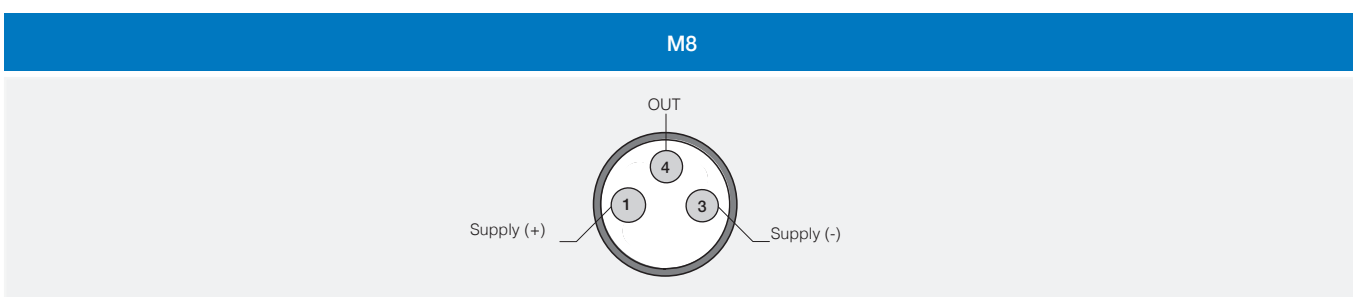
model	installation	sensing	plug	distance (mm)	NPN/NO	NPN/NC	PNP/NO	PNP/NC
M5	shielded	standard	cable	0.8	PD1/AN-1A	-	PD1/AP-1A	PD1/CP-1A
			M8		-	PD1/CN-1F	PD1/AP-1F	PD1/CP-1F
		long distance	cable	1.5	PD1/AN-3A	-	-	-
			M8		PD1/AN-3F	-	PD1/AP-3F	-

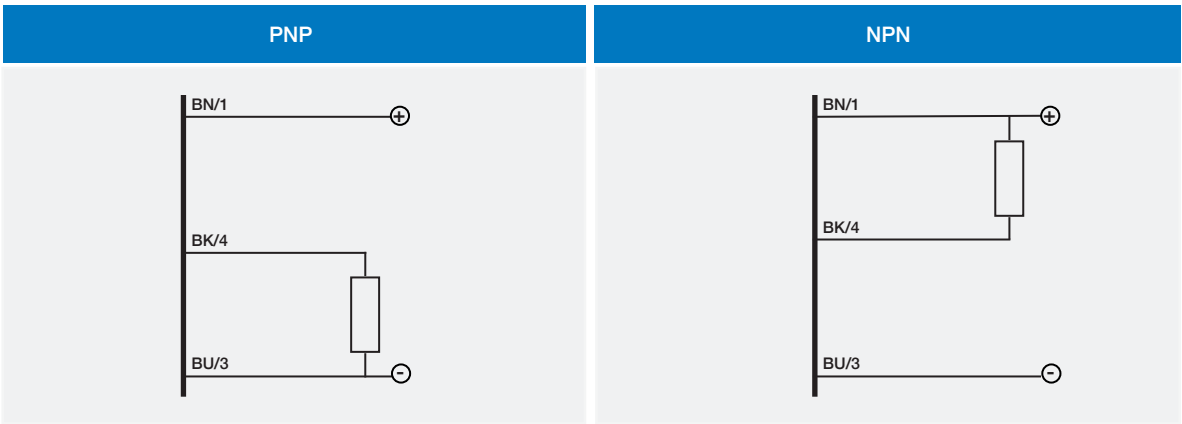
	PD1/**-1A	PD1/**-3A
		
nominal sensing distance	0.8 mm	1.5 mm
hysteresis	≤ 10% Sr	
standard target	5 x 5 x 1 mm	
repeatability	2%	
operating voltage	10...30 Vdc	
max ripple content	≤ 20%	
output type	NPN or PNP - NO or NC	
output current	≤ 200 mA	
output voltage drop	≤ 2.0 V @ 100 mA	
no-load supply current	≤ 10 mA	
leakage current	≤ 0.1 mA	
switching frequency	≤ 5,000 Hz	≤ 3,000 Hz
power on delay	10 ms	
ambient temperature range	-25...+70 °C	
temperature drift of Sr	≤ 10%	
short-circuit protection	●	
voltage reversal protection	●	
induction protection	●	
shocks and vibration	IEC 60947-5-2	
weight	5 g connector M8 34 g cable	
protection degree	IP 67	
EMC:		
IEC 60255-5	1 kV	
IEC 61000-4-2	level 2	level 3
IEC 61000-4-3	level 3	
IEC 61000-4-4	level 2	level 3
housing material	stainless steel V2A	
active head material	polyester	
connection	2 m PVC cable or M8 plug	

correction factors

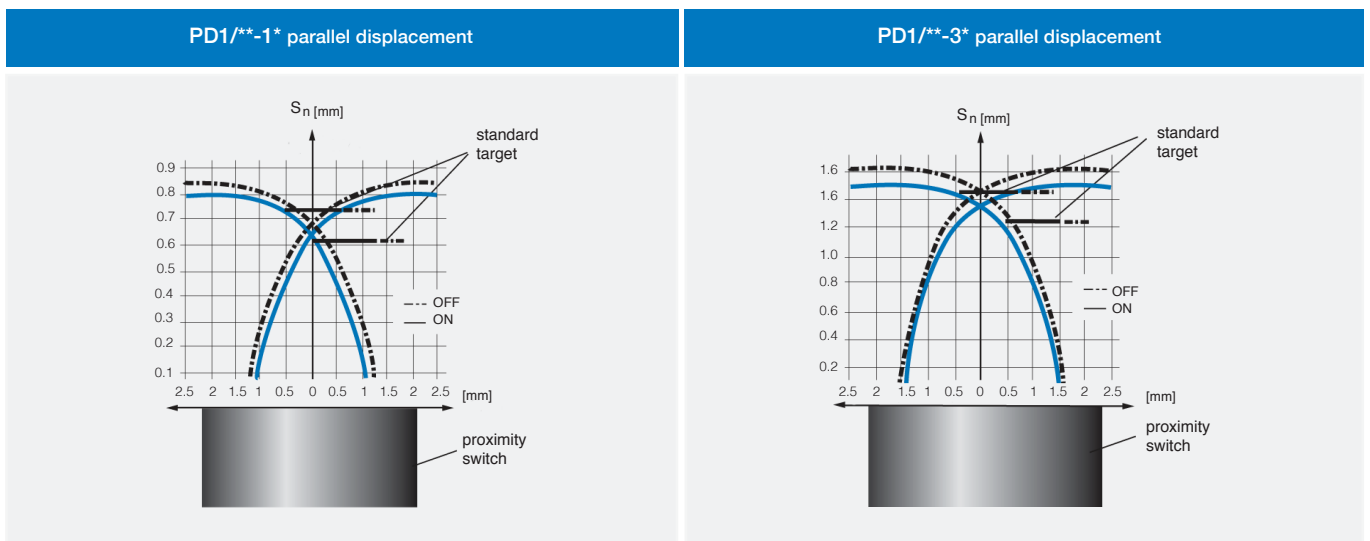
steel FE 360		copper		alluminium		brass		stainless steel	
PD1/**-1	PD1/**-3*	PD1/**-1*	PD1/**-3*	PD1/**-1*	PD1/**-3*	PD1/**-1*	PD1/**-3*	PD1/**-1*	PD1/**-3*
1.0	1.0	0.45	0.40	0.50	0.40	0.55	0.50	0.80	0.75

plug

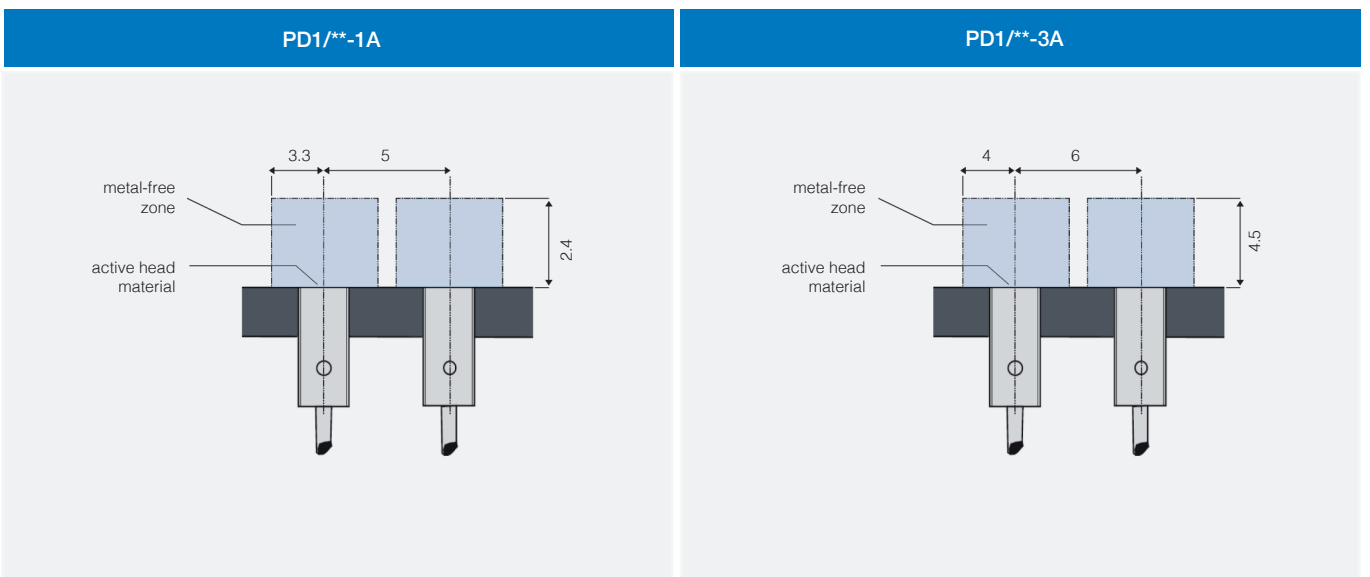




response diagram



installation

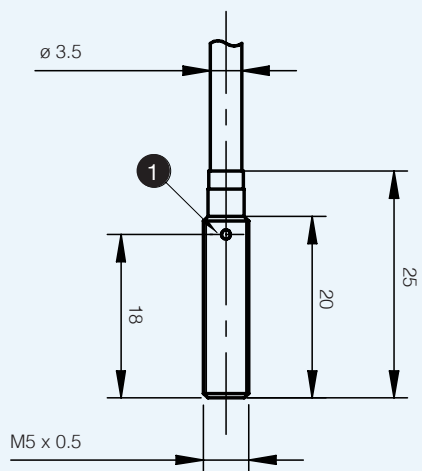




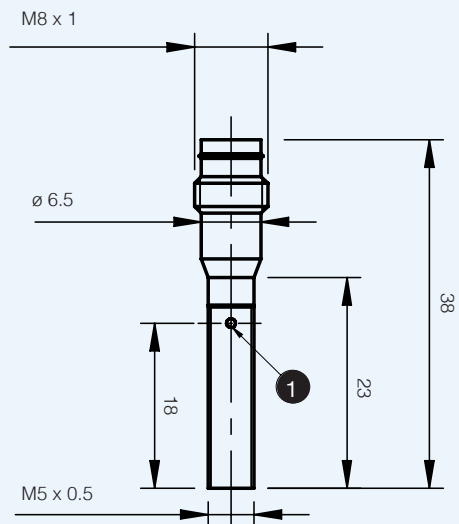
dimensions (mm)

M5 cylindrical
miniaturized

PD1/**-*A



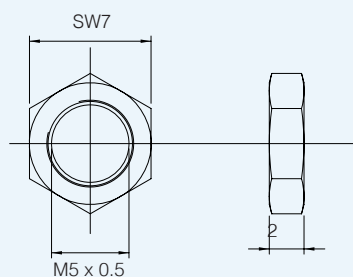
PD1/**-*F



1 LED

dimensions (mm)

accessories included in all models



metallic
nut (2 x)