



# PE6 series

M8 cylindrical  
miniaturized inductive sensors



M8 cylindrical  
miniaturized

## features

- Cable and M8 plug versions
- Extremely reduced dimensions: M8 x 16 mm (cable) /29 mm (plug) length
- Supply voltage 10...30 Vdc, output current 200 mA
- Led status indicator
- P 67 housing protection
- Complete protection against electrical damages



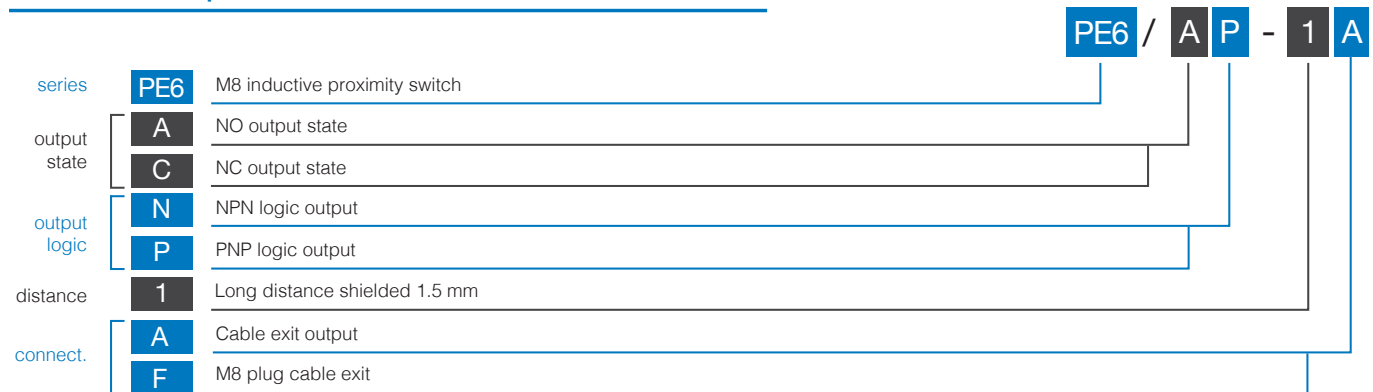
## web contents



- Application notes
- Photos
- Catalogue / Manuals



## code description



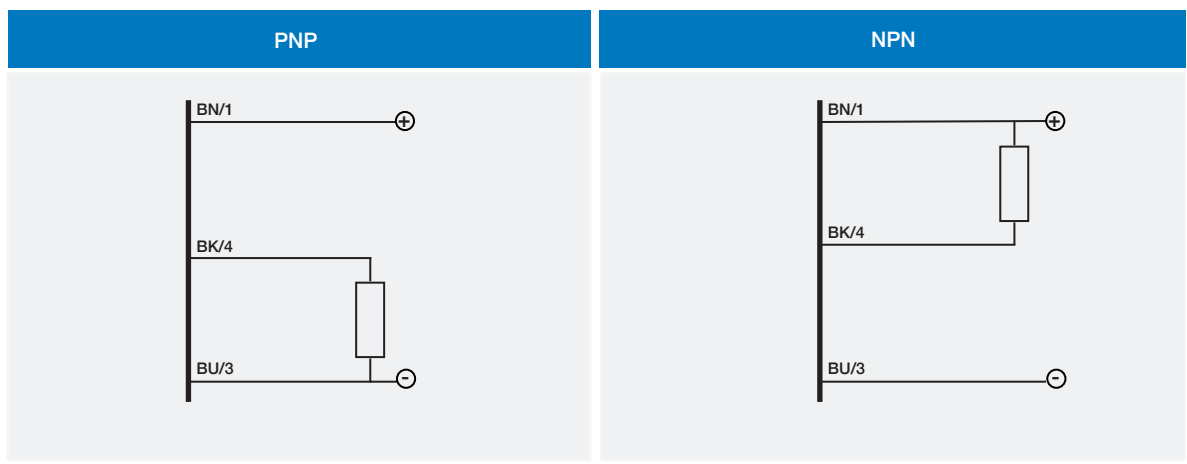
## available models

| model | installation | sensing  | plug  | distance (mm) | NPN/NO    | NPN/NC    | PNP/NO    | PNP/NC    |
|-------|--------------|----------|-------|---------------|-----------|-----------|-----------|-----------|
| M8    | shielded     | standard | cable | 1.5           | -         | PE6/CN-1A | PE6/AP-1A | PE6/CP-1A |
|       |              |          | M8    |               | PE6/AN-1F | PE6/CN-1F | PE6/AP-1F | -         |

| PE6/**-1*                   |  |
|-----------------------------|--|
|                             |  |
| nominal sensing distance    | ≤ 1.5 mm                               |
| hysteresis                  | ≤ 10% Sr                               |
| standard target             | 8 x 8 x 1 mm                           |
| repeatability               | 2%                                     |
| operating voltage           | 10...30 Vdc                            |
| max ripple content          | ≤ 20%                                  |
| output type                 | NPN or PNP - NO or NC                  |
| output current              | ≤ 200 mA                               |
| output voltage drop         | ≤ 2.0 V @ 100 mA                       |
| no-load supply current      | ≤ 10 mA                                |
| leakage current             | ≤ 0.1 mA                               |
| switching frequency         | ≤ 5,000 Hz                             |
| power on delay              | 10 ms                                  |
| ambient temperature range   | -25...+70 °C                           |
| temperature drift of Sr     | ≤ 10%                                  |
| short-circuit protection    | ●                                      |
| voltage reversal protection | ●                                      |
| induction protection        | ●                                      |
| shocks and vibration        | IEC 60947-5-2 / 7.4                    |
| weight                      | 10 g connector M8<br>40 g cable        |
| protection degree           | IP 67                                  |
| EMC:                        |  |
| IEC 60255-5                 | 1 kV                                   |
| IEC 61000-4-2               | level 2                                |
| IEC 61000-4-3               | level 3                                |
| IEC 61000-4-4               | level 2                                |
| housing material            | stainless steel V2A                    |
| active head material        | polyester                              |
| connection                  | 2 m PVC cable 3 x 0.14 mm <sup>2</sup> |

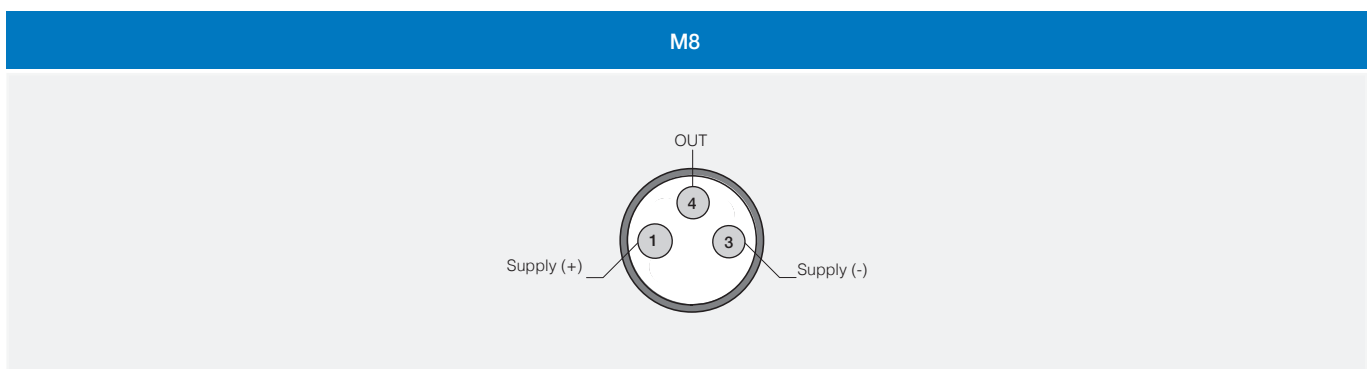
### correction factors

| model     | steel FE 360 | copper | alluminium | brass | stainless steel |
|-----------|--------------|--------|------------|-------|-----------------|
| PE6/**-1* | 1.0          | 0.40   | 0.45       | 0.50  | 0.80            |

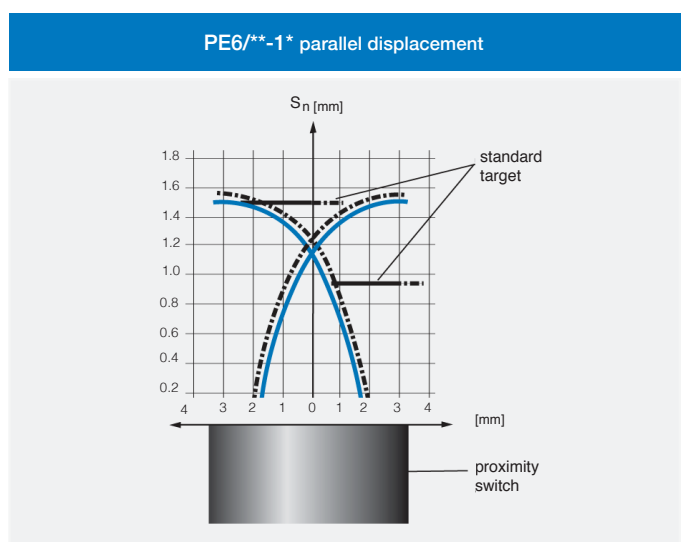


- BN brown
- BU blue
- BK black
- WH white

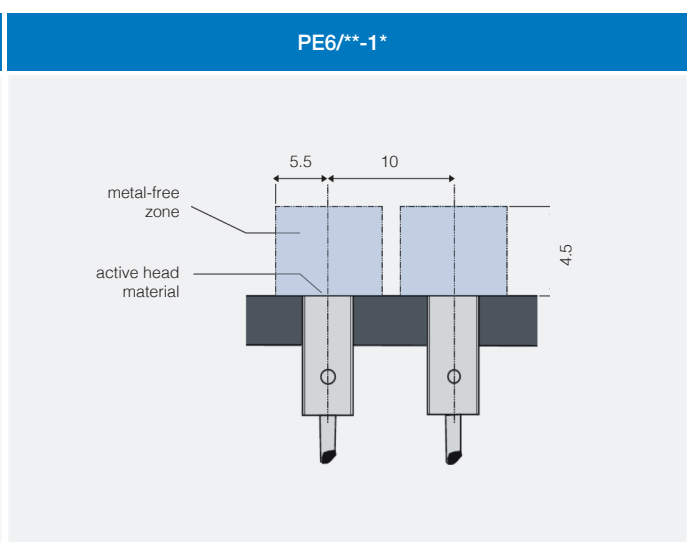
plug



response diagram



installation





## dimensions (mm)

M8 cylindrical  
miniaturized

| PE6/**-1A | PE6/**-1F |
|-----------|-----------|
|           |           |

1 LED

## dimensions (mm)

accessories included models

