

Signal tower / Pre-assembled Signal Tower
SignalSET Wireless



| | |
|------------------|---------------------|
| Part No.: | 649.191.01 |
| Series: | KombiSIGN 72 |



| MECHANICAL DATA | |
|-----------------------------|----------------------------------|
| Materials | Aluminium PA-GF PC PMMA |
| Dome colour | Green Red |
| Housing colour | Black Silver White |
| Protection category | IP30 |
| Cable entry | Through hole |
| Cable entry minimum | d = 12 mm |
| Tension relief | Not present |
| Type of fixing | Special version |
| Working temperature minimum | 0°C |
| Working temperature maximum | +40°C |
| Weight with packaging | 2000 g |
| Product weight | 1550 g |

| ELECTRICAL DATA | |
|-----------------------------|--------------------------|
| Operating voltage | 230V |
| Operating voltage type | AC |
| Operating voltage frequency | 50Hz |
| Operating voltage tolerance | +/- 10% |
| Rated operational current | 1000 mA |
| Protection class | Protection class 2 |
| Pollution degree | 2 |
| Isolation voltage | Ui = 250V; Uimp = 2.500V |

| OPTICAL DATA | |
|----------------------|------------------|
| Light source | LED |
| Light colour | Green Red |
| Optical signal image | TwinLight |
| Service life optical | 50,000 h maximum |

| APPROVAL DATA | |
|-----------------------------|-----|
| Conforms with CE | Yes |
| WEEE | Yes |
| Conforms with RED directive | Yes |
| Conform with ATEX-directive | No |

! For additional installation and mounting information, refer to the appropriate user guide at www.werma.com. This printed copy is for information only and is subject to alteration.

Signal tower / Pre-assembled Signal Tower

SignalSET Wireless

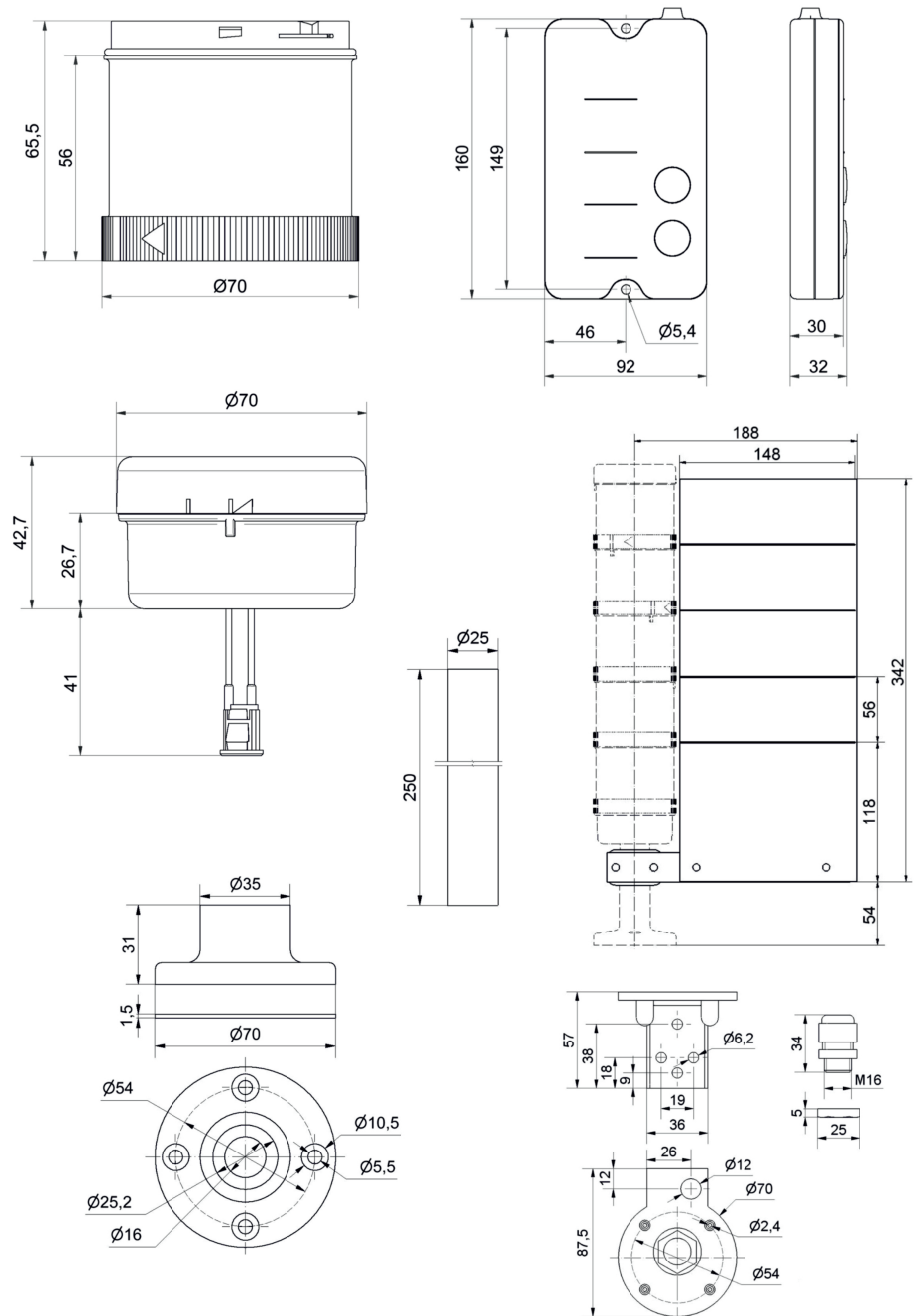
| | |
|-------------------------------|----|
| Conforms with CCC-Ex | No |
| Conforms with CCC | No |
| Conforms with UL | No |
| Conforms with FCC | No |
| Conforms with IC | No |
| EAC certificate available | No |
| Conforms with UKCA (Importer) | No |
| Conforms with CMIM | No |
| Conforms with AS-I | No |
| Conforms with GL | No |
| Conforms with RoHS CN | No |
| Conforms with VdS | No |



For additional installation and mounting information, refer to the appropriate user guide at www.werma.com. This printed copy is for information only and is subject to alteration.

Signal tower / Pre-assembled Signal Tower
SignalSET Wireless

DRAWING



! For additional installation and mounting information, refer to the appropriate user guide at www.werma.com. This printed copy is for information only and is subject to alteration.