

Signal tower / Pre-assembled Signal Tower  
**SignalSET Wireless USB**



<b>Part No.:</b>	<b>649.191.02</b>
<b>Series:</b>	<b>KombiSIGN 72</b>



<b>MECHANICAL DATA</b>	
Materials	Aluminium PA-GF PC PMMA
Dome colour	Green Red
Housing colour	Black Silver White
Protection category	IP30
Connection	USB
Cable entry	Through hole
Cable entry maximum	d = 14 mm
Tension relief	Not present
Type of fixing	Special version
Working temperature minimum	0°C
Working temperature maximum	+40°C
Weight with packaging	1750 g
Product weight	1300 g

<b>ELECTRICAL DATA</b>	
Operating voltage	230V 5V (USB)
Operating voltage type	AC
Operating voltage frequency	50Hz
Operating voltage tolerance	+/- 10%
Rated operational current	1000 mA
Protection class	Protection class 2
Pollution degree	2
Isolation voltage	Ui = 250V; Uimp = 2.500V

<b>OPTICAL DATA</b>	
Light source	LED
Light colour	Green Red
Optical signal image	TwinLight
Service life optical	50,000 h maximum

<b>APPROVAL DATA</b>	
Conforms with CE	Yes
WEEE	Yes

**!** For additional installation and mounting information, refer to the appropriate user guide at [www.werma.com](http://www.werma.com). This printed copy is for information only and is subject to alteration.

## Signal tower / Pre-assembled Signal Tower **SignalSET Wireless USB**

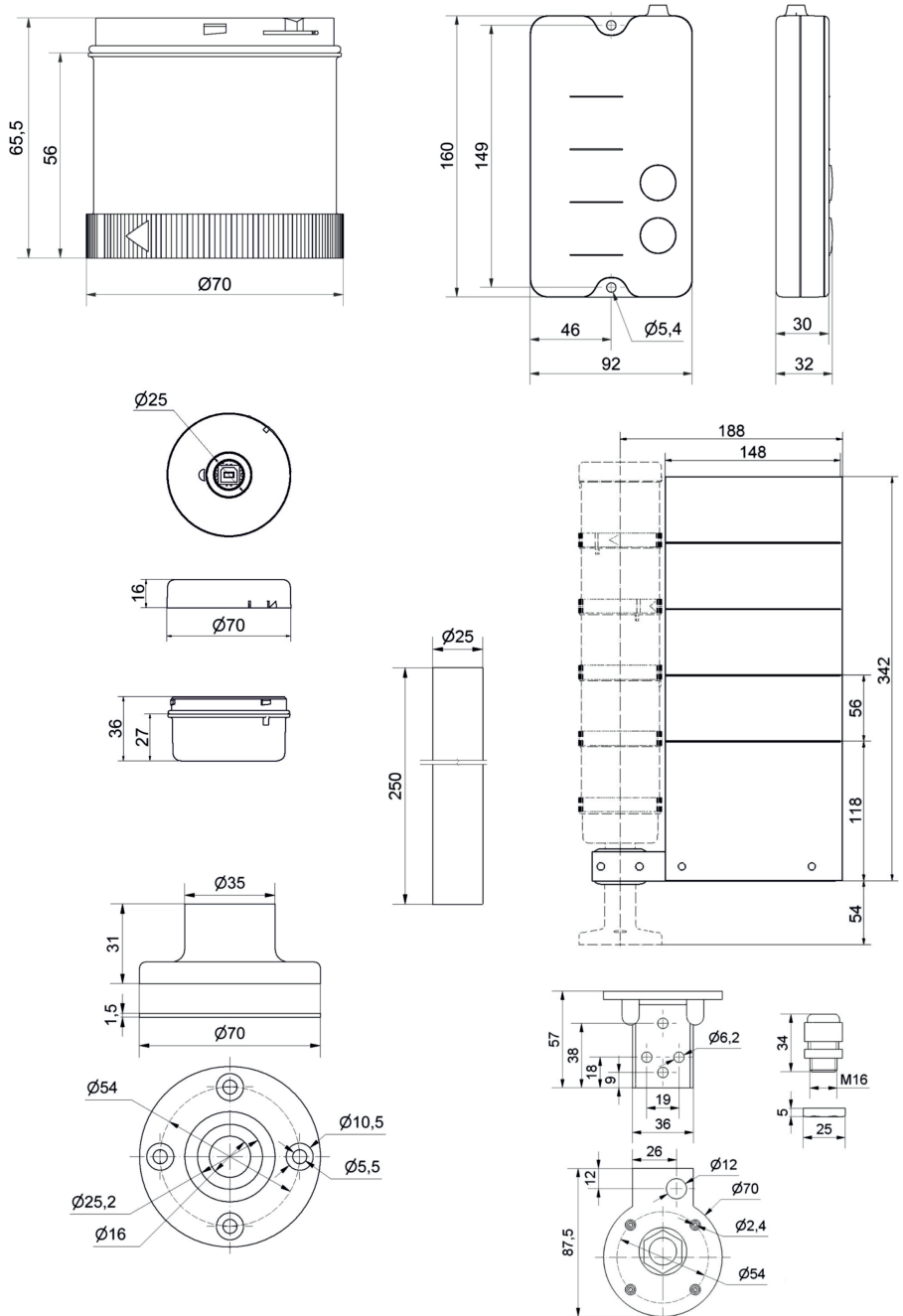
Conforms with RED directive	Yes
Conform with ATEX-directive	No
Conforms with CCC-Ex	No
Conforms with CCC	No
Conforms with UL	No
Conforms with FCC	No
Conforms with IC	No
EAC certificate available	No
Conforms with UKCA (Importer)	No
Conforms with CMIM	No
Conforms with AS-I	No
Conforms with GL	No
Conforms with RoHS CN	No
Conforms with VdS	No



For additional installation and mounting information, refer to the appropriate user guide at [www.werma.com](http://www.werma.com). This printed copy is for information only and is subject to alteration.

Signal tower / Pre-assembled Signal Tower  
**SignalSET Wireless USB**

**DRAWING**



! For additional installation and mounting information, refer to the appropriate user guide at [www.werma.com](http://www.werma.com). This printed copy is for information only and is subject to alteration.