



Remote escape release for NG and NS series safety switches



Remote escape release for NG and NS series safety switches

General data





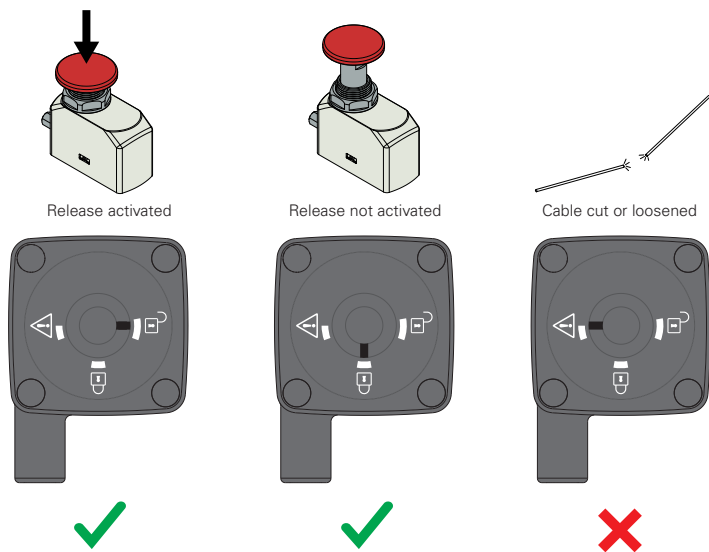
The remote escape release is operated via a flexible cable and facilitates remote unlocking of the safety switch in cases where conventional release devices (lock-type, by screwdriver, push button, etc.) are not easily accessible due to the configuration of the machinery.

The remote escape release is particularly suitable in situations where the switch must be installed in a difficult-to-reach position, for example on top of a guard or inside a shield in order to prevent tampering. The remote escape release can be used with NG and NS series RFID safety switches with guard locks.

Self-monitoring of cable tension

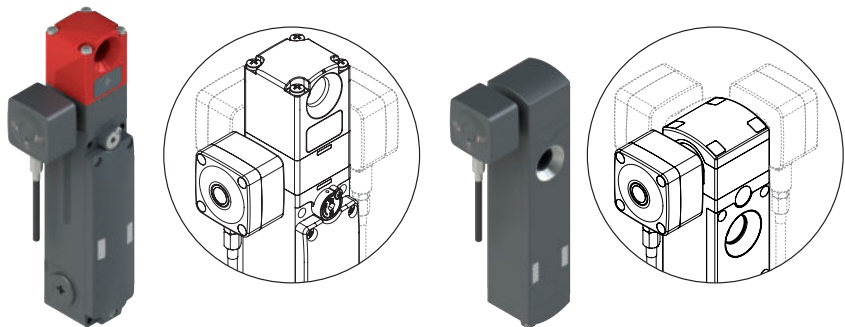
Unlike other similar solutions on the market, the Pizzato Elettrica remote escape release is equipped with an innovative mechanical control system which safely stops the machinery, if the cable is cut or loosened.

When the device is activated, the square control indicator is positioned at the  symbol; in the event of a fault or anomaly, the square control indicator is positioned at the  symbol facilitating a quick diagnosis by the user.



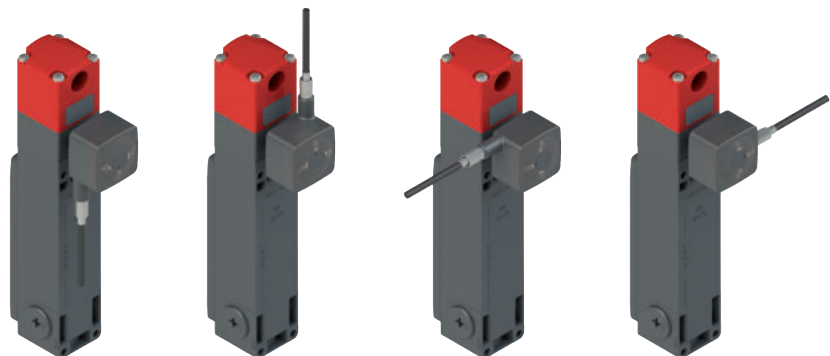
Orientable device

The remote escape release device can always be oriented to one of the four sides of the switch by simply unscrewing the four fixing screws of the switch head. This feature of the NG and NS switches facilitates a unique degree of flexibility in the installation of this type of device.



The remote escape release device can also be ordered with four different cable exit orientations in order to choose the most suitable orientation for the application on the machine.

Standard devices are configured with the cable exit direction oriented downwards.





Flexible installation



The NG and NS safety switches with remote escape release are supplied with the respective device connected to the switch head and with a heavy-duty, five-metre-long steel cable which runs inside a sheath with a steel core.

The user can cut the cable and sheath to the required length in order to optimise the adaptation of the installation to the operational requirements.

The remote release push button, with code VN RR-K4, which must be ordered separately and to which the free end of the cable must be connected, is necessary for the completion of the assembly.

The push button has a sturdy internal metallic structure which is complemented by a small plastic housing, which creates a compact, aesthetically pleasing solution.

The housing can also be combined with a label displaying the VE TF ●●H●●● series marking to better indicate the function of the button.

Activation button for remote escape release

Article	Description
VN RR-K4	Activation button for remote escape release on NG and NS series switches

Mushroom push button for activating the remote escape release by means of a metallic cable, complete with plastic cover, with the option of affixing laser-marked labels from the Pizzato Elettrica Eround series.

Compact device with rugged internal metallic structure, ideal for flush installation on aluminium profiles starting from 30 mm.

Double mounting mode:

- fixed with screws to the outside of the guard chassis, closed by applying the cap (Figure A);
- fixed inside the guard chassis by means of the ring supplied, on a panel with a standard $\varnothing 22$ mm hole, leaving only the mushroom push button visible (Figure B).

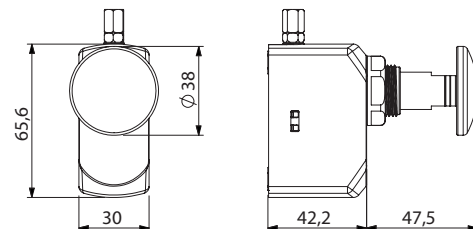
Note: the actuation cable is integrated in the remote release device connected to the safety switch.



A. Installation outside the chassis



B. Installation inside the chassis, on a perforated panel

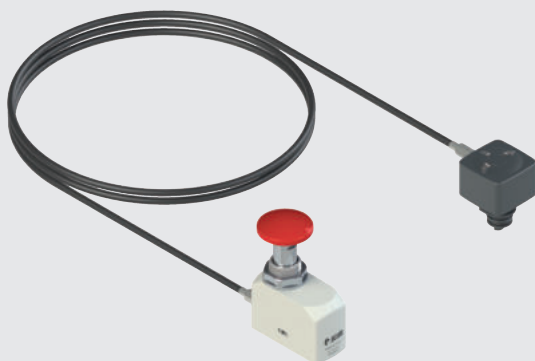


Complete kit for installation on NS series switches

Article	Description
VN RR-K1	Complete kit with connection block, cable and push button for mounting on NS series switches

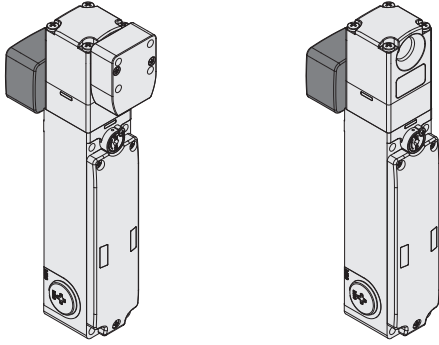
The user can install the remote escape release directly into NS series safety devices that are already equipped with a front or rear release device (items NS ●●ST●●●●, NS ●●SE●●●●, NS ●●CE●●●●, and NS ●●CT●●●●) by means of the disassembly procedure for the upper switch block.

Attention: The installation of the VN RR-K1 accessory on series NS devices with an energised electromagnet operating principle is prohibited (items NS E●●●●●●, NS H●●●●●●, NS M●●●●●●).



Remote escape release for NG and NS series safety switches

Selection table for NG switches with remote escape release

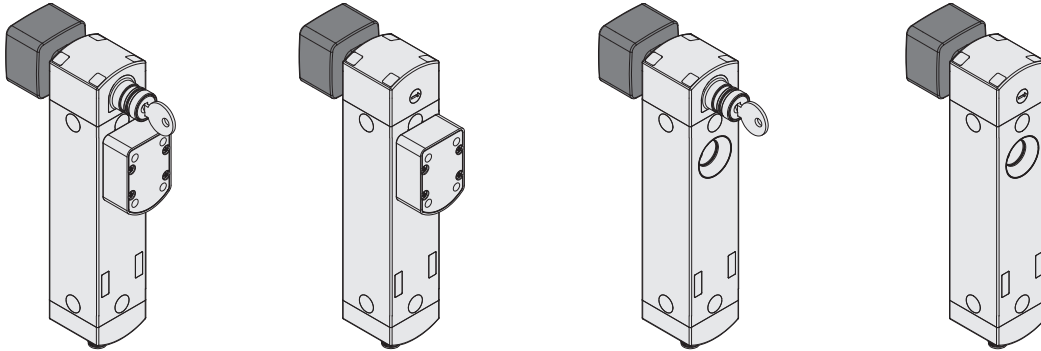


Operating principle	Locked actuator with de-energised solenoid. With sealable auxiliary release device. With actuator.	Locked actuator with de-energised solenoid. With sealable auxiliary release device.
Mode 1	NG 2D9D411A-F31	NG 2D9D411A
Mode 2	NG 2D9D421A-F31	NG 2D9D421A
Mode 3	NG 2D9D431A-F31	NG 2D9D431A

Note: The codes above include the safety switch supplied with the remote release cable which has a standard length of 5 metres. For other lengths, please contact our Technical Department.

The remote escape release switch must be supplemented with the push button with the code VN RR-K4.

Selection table for NS switch with remote escape release



Operating principle	Locked actuator with de-energised solenoid. With auxiliary key release. With actuator.	Locked actuator with de-energised solenoid. With screwdriver release. With actuator.	Locked actuator with de-energised solenoid. With auxiliary key release.	Locked actuator with de-energised solenoid. With screwdriver release.
Mode 1	NS D4SR1SMK-F41	NS D4CR1SMK-F41	NS D4SR1SMK	NS D4CR1SMK
Mode 2	NS G4SR1SMK-F41	NS G4CR1SMK-F41	NS G4SR1SMK	NS G4CR1SMK
Mode 3	NS L4SR1SMK-F41	NS L4CR1SMK-F41	NS L4SR1SMK	NS L4CR1SMK

Note: The codes above include the safety switch supplied with the remote release cable which has a standard length of 5 metres. For other lengths, please contact our Technical Department.

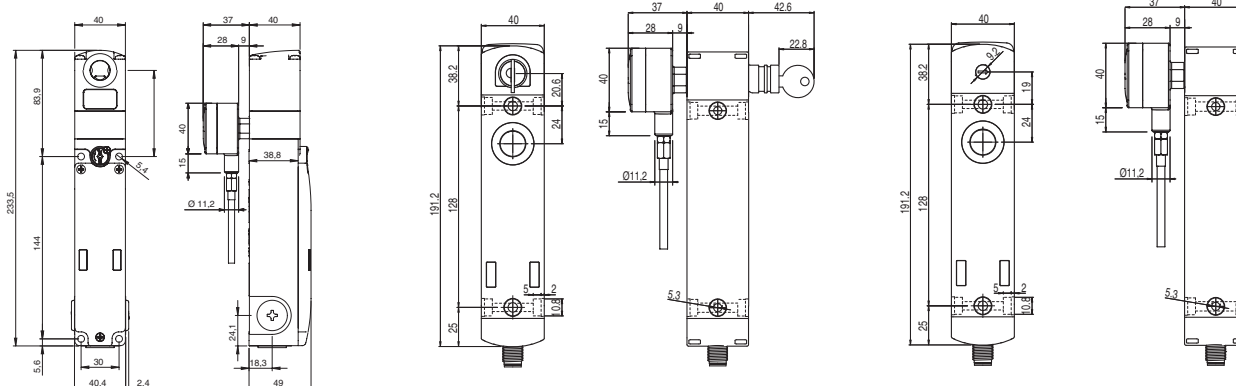
The remote escape release switch must be supplemented with the push button with the code VN RR-K4.

→ The 2D and 3D files are available at www.pizzato.com



Dimensional drawings

NG	NS	
Switch NG 2D9D••1A	Switch NS ••SR•SMK	Switch NS ••CR•SMK, NS ••TR•SMK



Accessories

Adhesive labels for escape release button



Polycarbonate yellow adhesive, rectangular, 300 x 32 mm, red inscription.

It has to be fixed on the internal part of the jamb and helps finding the escape release button.

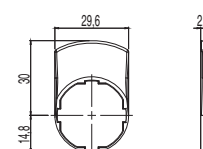
Article	Description	
VF AP-A1AGR01	PREMERE PER USCIRE	ita
VF AP-A1AGR02	PUSH TO EXIT	eng
VF AP-A1AGR04	ZUM ÖFFNEN DRÜCKEN	deu
VF AP-A1AGR05	POUSSER POUR SORTIR	fra
VF AP-A1AGR06	PULSAR PARA SALIR	spa
VF AP-A1AGR07	НАЖАТЬ ДЛЯ ВЫХОДА	rus
VF AP-A1AGR08	NACISNAĆ ABY WYJŚĆ	pol
VF AP-A1AGR09	PRESSIONAR PARA SAIR	por

Labels with laser engraving



Labels for single EROUND line devices, adjustable by 90° in 90° increments. Available in black, grey, and yellow; the engraving is via laser, directly on the label itself. This avoids having to apply additional labels, and the command description remains permanent and indelible, for the entire lifetime of the label.

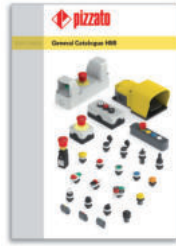
Labels are customisable with various laser engraving types, according to customer requirements.



Article	Description	Pieces/Pack
VET F12H12GB80	Black label with inscription "UNLOCK"	1
VET F12H12GB81	Black label with inscription "DOOR UNLOCK"	1
VET F12H12L495	Black label with inscription "UNLOCK" rotated 180°	1
VET F12H12L496	Black label with inscription "DOOR UNLOCK" rotated 180°	1



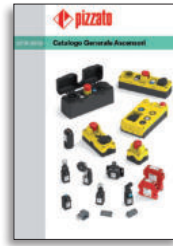
General Catalogue
Detection



General Catalogue
HMI



General Catalogue
Safety



Lift General Cata-
logue



Website
www.pizzato.com



PASSION FOR QUALITY

Pizzato Elettrica s.r.l. via Torino, 1 - 36063 Marostica (VI) Italy

Phone: +39 0424 470 930

E-mail: info@pizzato.com

Website: www.pizzato.com

ZE FGL31A21-ENG

